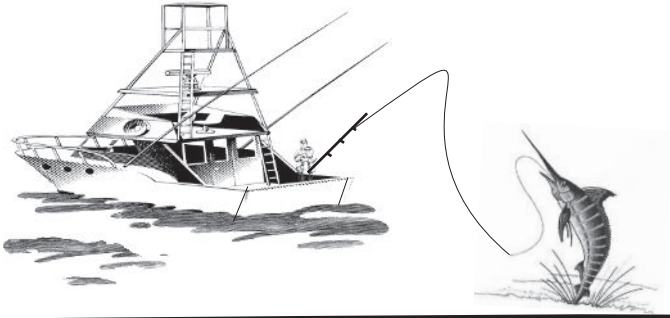




Quality Line-Plumbing Specialties

Orlando, Florida



*Servicing the Southeast
"Since 1965"*

E-mail: customerservice@tmsmarlin.com

Toll Free: 1-800-327-3022 Fax Free: 1-800-327-5689

2022

Sensor Activated



**Flush Valves
Faucets
Hand Dryers
Side Mounts
Soap Dispensers**



Index

<u>Manufacturer</u>	<u>Description</u>	<u>Pages</u>
American Standard	Flushometers	(45-46)
Bobrick	Soap Dispensers	(57-58)
Chicago Faucet	Lavatory Faucets	(53-54)
Hydrotek	Lavatory Faucets	(38-40)
Hydrotek	Flushometers	(41-44)
SLOAN	Lavatory Faucets	(1-11)
SLOAN	Soap Dispensers	(12-13)
SLOAN	Flushometers	(14-24)
SLOAN	Automatic Hand Dryer	(25)
T&S BRASS	Lavatory Faucets	(47-52)
T/C	Lavatory Faucet	(55)
T/C	Soap Dispensers	(56)
ZURN	Lavatory Faucets	(26-32)
ZURN	Flushometers	(33-37)

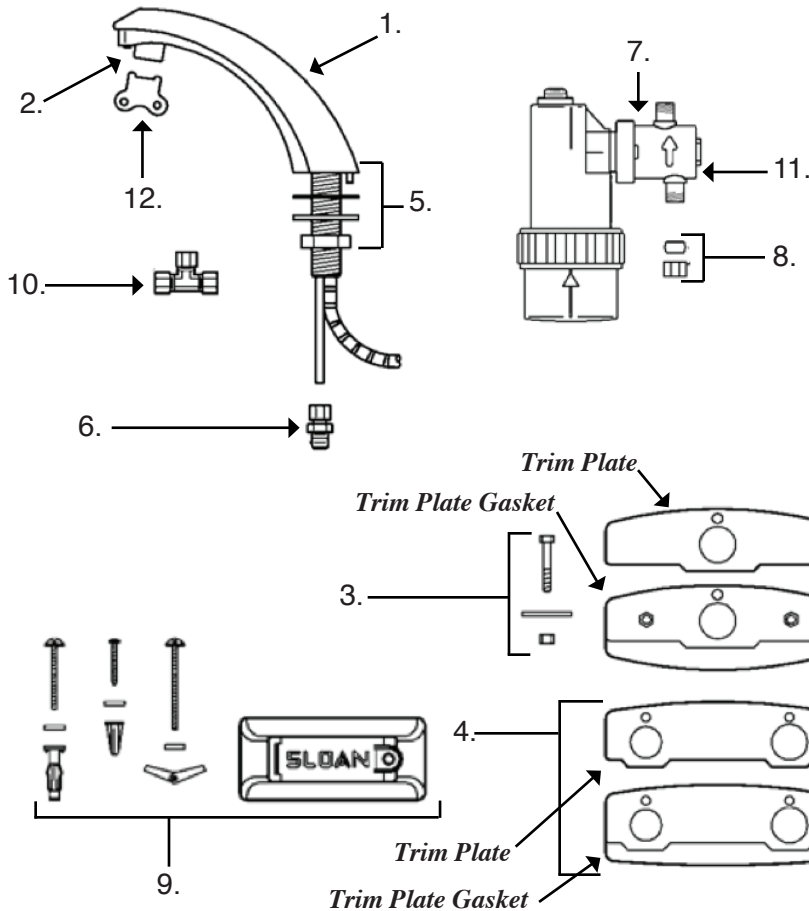


Sloan OPTIMA *Plus* EBF-85 Battery Powered, Sensor Activated Faucet for Tempered or Hot/Cold water

- Splash-proof Circuit Control Module
- Fiber Optic, Automatic, Self-adaptive Sensing
- Isolated Latching Solenoid Operator, Isolates magnetic components from water contact.
- Audible Tone Low Battery Indicator
- Serviceable filtered Solenoid Valve
- Back-check Tee for Hot & Cold Supply
- Trim Plate with Anti-Rotation pin
- Vandal Resistant Spray Head with Pressure Compensating flow control
- Polypropylene Optic Cable protection
- Includes (4) C-size Alkaline Batteries (30100057)



Part No. **92617**



Parts

- | | |
|---------------------------------------|--|
| 1. 9220 | Spout & Sensor Assembly |
| 2. 40110025 | 2.2 Female Vandal Proof Aerator |
| 3. 9221 | 4" Centerset Trim Plate for Faucet Only Single Hole |
| 4. 9222 | 4" Centerset Trim Plate for Optional Mixing Valve |
| 5. 9223 | Faucet Mounting Kit: Nut, gasket, washer, comp. ring |
| 6. 40900050 | 1/4" to 3/8" Compression Fitting Connector |
| 7. 40155111 | Solenoid Valve Module |
| 8. 40900003
40900011 | Ferrule & Compression Nut for Solenoid Single Supply |
| 9. 92695 | Mounting Bracket Kit |
| 10. 40103127 | Back-Check T Assembly 3/8" |
| 11. 92697 | Filter Replacement Kit |
| 12. 12110 | Key Only |

Toll Free: 800-327-3022

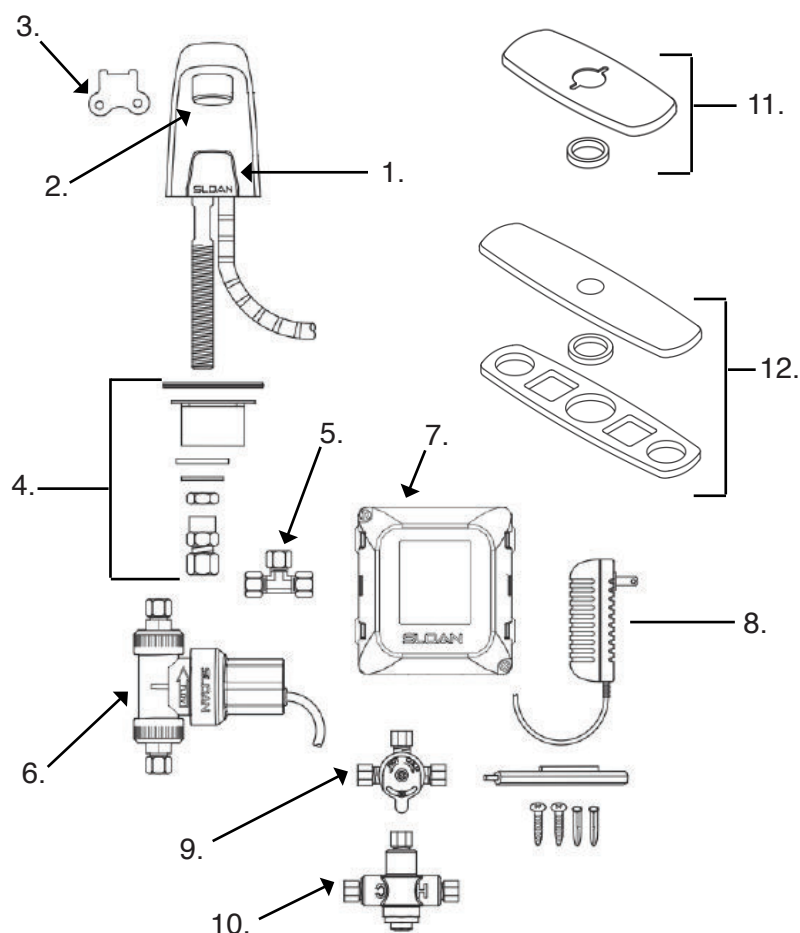


Fax Free: 800-327-5689

Sloan OPTIMA *Plus* EBF-615 Battery Powered, Sensor Activated Pedestal Faucet for Tempered or Hot/Cold water

Part No. **92610**

- Splash-proof Circuit Control Module
- Sensor Range Adjustment Screw
- Low battery LED Indicator Light
- User friendly Variable time out settings
- Filtered Solenoid Valve with serviceable Strainer Filter
- Back-Check Tee for Hot / Cold Supply
- Vandal Resistant Spray Head with Pressure compensating Flow Control
- Metal Jacketed Wire Protection for Sensor Lead
- Includes appropriate Mounting Hardware
- Mounts on a single-hole lavatory or deck
- Includes (4) AA-size Alkaline batteries (30100044)



Parts

- | | |
|--------------------|--|
| 1. 9225 | Sensor Only |
| 2. 40110166 | 2.2 Male Vandal Proof Aerator |
| 3. 12110 | Key Only |
| 4. 9226 | Faucet Mounting Kit |
| 5. 40103127 | 3/8" Back-Check Tee Fitting |
| 6. 9212 | 6 VDC Solenoid Valve Assy. |
| 7. 9213 | Control Module |
| 8. 9227 | 110 VAC/6 VDC Plug-in Adaptor |
| 9. 32990370 | Below Deck Mechanical Water Mixing Valve |
| 10. 9228 | Below Deck Thermostatic Water Mixing Valve |
| 11. 9214 | 4" Centerset Trim Plate |
| 12. 9229 | 8" Centerset Trim Plate |

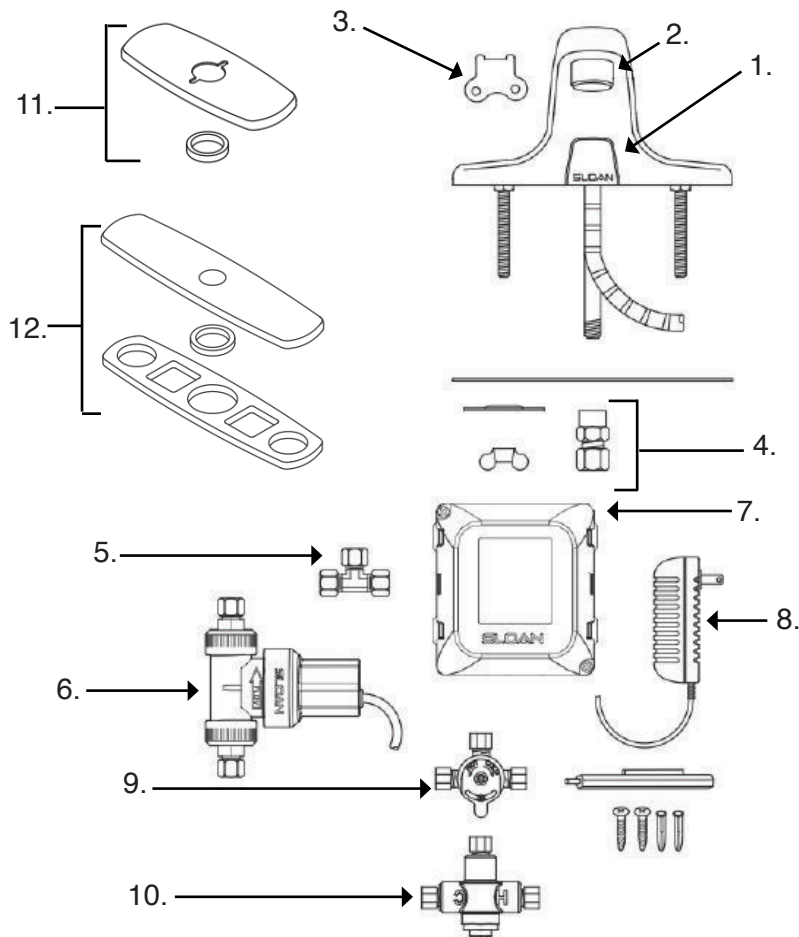


Sloan OPTIMA Plus EBF-650 Battery Powered, Sensor Activated Faucet for Tempered or Hot/Cold water



- Splash-proof Circuit Control Module
- Sensor Range Adjustment Screw
- Low battery LED Indicator Light
- User friendly Variable time out settings
- Filtered Solenoid Valve with serviceable Strainer Filter
- Back-Check Tee for Hot / Cold Supply
- Vandal Resistant Spray Head with Pressure compensating Flow Control
- Metal Jacketed Wire Protection for Sensor Lead
- Includes appropriate Mounting Hardware
- Mounts on a single-hole lavatory or deck
- Includes (4) AA-size Alkaline Batteries (30100044)

Part No. **40261178**



Parts

- | | |
|--------------------|--|
| 1. 9225 | Sensor Only |
| 2. 40110166 | 2.2 Male Vandal Proof Aerator |
| 3. 12110 | Key Only |
| 4. 9231 | Faucet Mounting Kit |
| 5. 40103127 | 3/8" Back-Check Tee Fitting |
| 6. 9212 | 6 VDC Solenoid Valve Assy. |
| 7. 40150038 | Control Module |
| 8. 9227 | 110 VAC/6 VDC Plug-in Adaptor |
| 9. 32990370 | Below Deck Mechanical Water Mixing Valve |
| 10. 9228 | Below Deck Thermostatic Water Mixing Valve |
| 11. 9214 | 4" Centerset Trim Plate |
| 12. 9229 | 8" Centerset Trim Plate |

Toll Free: 800-327-3022



Fax Free: 800-327-5689

Sloan OPTIMA Plus EBF-750 Battery Powered, Sensor Activated Gooseneck Faucet for Tempered or Hot/Cold water

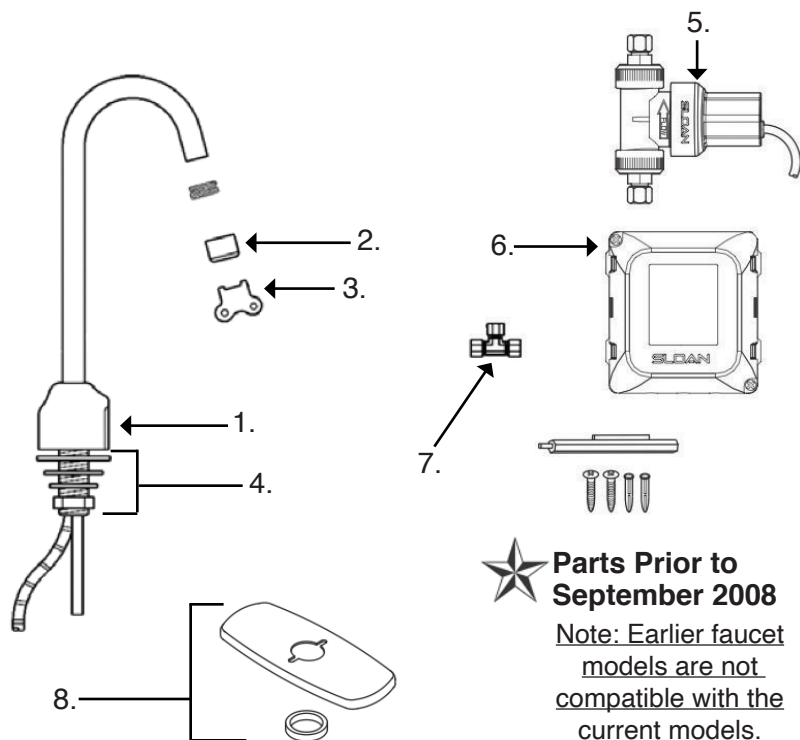
Part No. **92613**



- Splash-proof Circuit Control Module
- Isolated Latching Solenoid Operator
- Sensor Range Adjustment Screw
- Low battery LED Indicator Light
- User friendly Variable time out settings
- Filtered Solenoid Valve with serviceable Strainer Filter
- Back-Check Tee for Hot / Cold Supply
- Vandal Resistant Spray Head with Pressure compensating Flow Control
- Metal Jacketed Wire Protection for Sensor Lead
- Includes appropriate Mounting Hardware
- Includes (4) AA-size Alkaline Batteries (30100044)

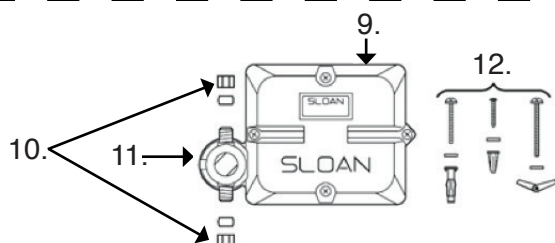
Parts

- | | |
|---------------------|---------------------------------|
| 1. 9210 | Sensor Only |
| 2. 40110025 | 2.2 Female Vandal Proof Aerator |
| 3. 12110 | Key Only |
| 4. 9211 | Faucet Mounting Kit |
| 5. 9212 | 6 VDC Solenoid Valve Assy. |
| 6. 9213 | Control Module |
| 7. 40103127 | 3/8" Back-Check Tee Fitting |
| 8. 9214 | 4" Centerset Trim Plate |
| 9. 40150038 | Control Module Assy. |
| 10. 40900011 | Supply Compression Nut Kit |
| 11. 92697 | Solenoid Replacement Kit |
| 12. 9215 | Mounting Hardware Kit |



★ Parts Prior to September 2008

Note: Earlier faucet models are not compatible with the current models.



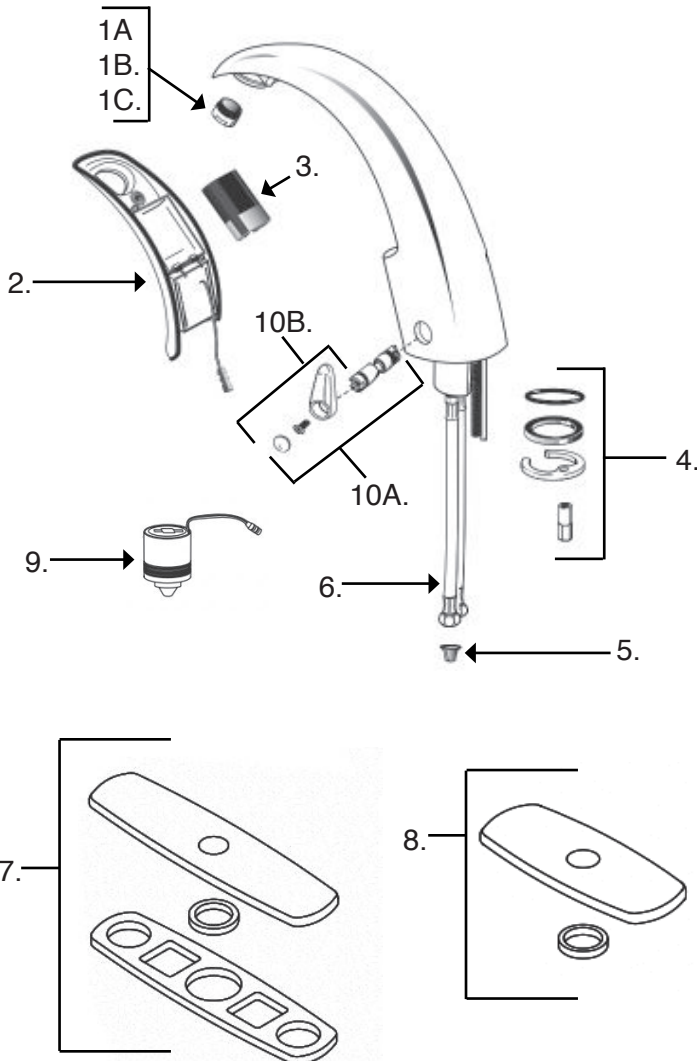


Sloan EAF-150-ISM Battery Powered, Sensor Activated Hand Faucet For Hot/Cold Water

- Modular one-piece construction
- Double infrared sensors
- Magnetic solenoid valve
- Water supply connection with flexible high pressure hose and strainer
- Power supply (battery)



Part No. **92629**



Parts

- 1A. **40110220** 1.5 Male aerator
- 1B. **1865VP** 2.2 Vandal proof aerator
- 1C. **40110144** 2.2 Male aerator
- 2. **9240** Throat plate assembly
- 3. **40221175** Battery replacement kit
- 4. **9242** Faucet mounting kit
- 5. **9243** Strainer-(filter)
- 6. **9244** 13" Flexible supply hose
- 7. **9245** Trim plate for 8" center set
- 8. **40103137** Trim plate for 4" center set
- 9. **9249** Solenoid
- 10A. **9280** Mixer handle & cartridge
- 10B. **9281** Throat plate assembly

Toll Free: 800-327-3022



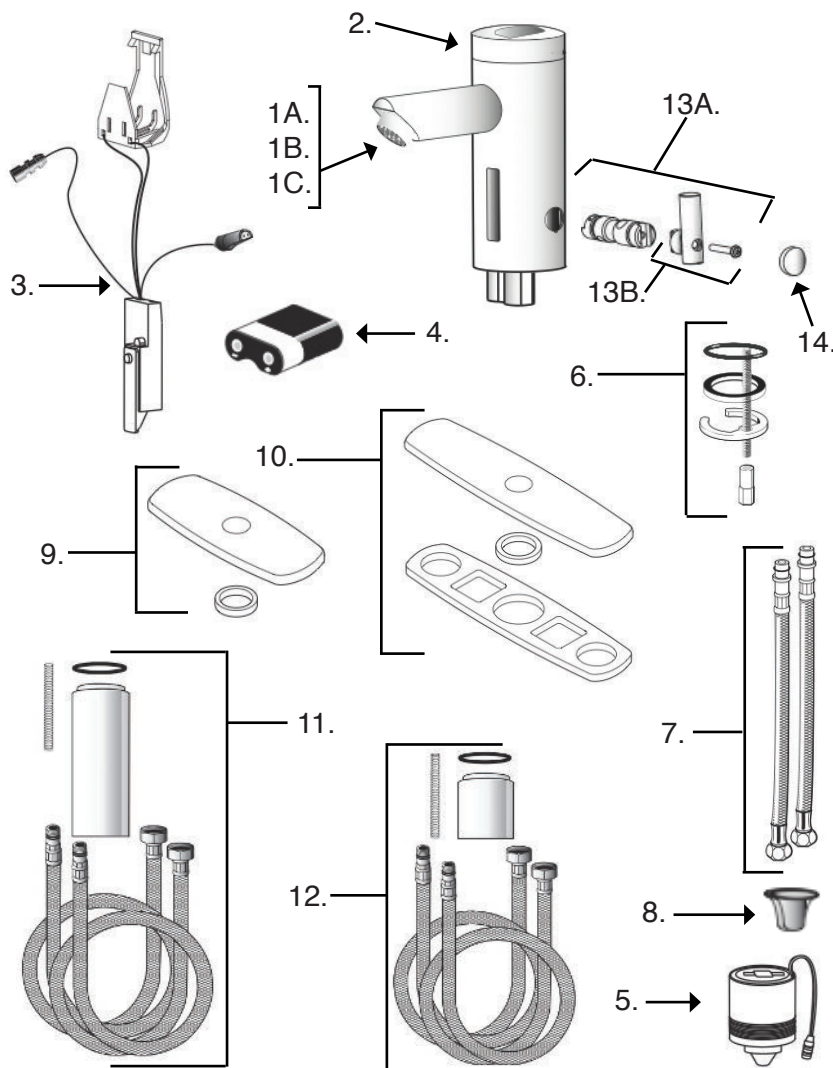
Fax Free: 800-327-5689

Sloan EAF-250-ISM Battery Powered, Sensor Activated Hand Faucet for Tempered or Hot/Cold Water

Part No. **92634**



- Modular One-piece Construction with all Concealed components above deck
- Double Infrared Sensors with Automatic Setup and Indicator light
- Low Battery Indicator
- Magnetic Solenoid Valve
- Water Supply Connection with Flexible High-pressure Hose and Strainer
- 6 Volt Lithium 2CR5 Commercial Battery included (40221175)
- Appropriate Mounting Hardware included



Parts

- | | |
|---------------------|--------------------------------|
| 1A. 9237 | 2.2 Male Aerator |
| 1B. 40110166 | 2.2 Vandal Proof Aerator |
| 1C. 9239 | 1.5 Male Aerator |
| 2. 9248 | Cap |
| 3. 9249 | Faucet Sensor Assembly |
| 4. 30100061 | Battery Replacement Kit |
| 5. 9249 | Solenoid |
| 6. 9242 | Faucet Mounting Kit |
| 7. 9244 | 13" Flexible Supply Hose |
| 8. 9243 | Strainer - (Filter) |
| 9. 9251 | Trim plate for 4" Center-set |
| 10. 9252 | Trim plate for 8" Center-set |
| 11. 9253 | Faucet Extension Kit |
| 12. 9254 | 2-1/4" Faucet Extension Kit |
| 13A. 9282 | Mixer Handle & Cartridge Assy. |
| 13B. 9283 | Mixer Handle Assy. |
| 14. 9284 | Handle Cap |

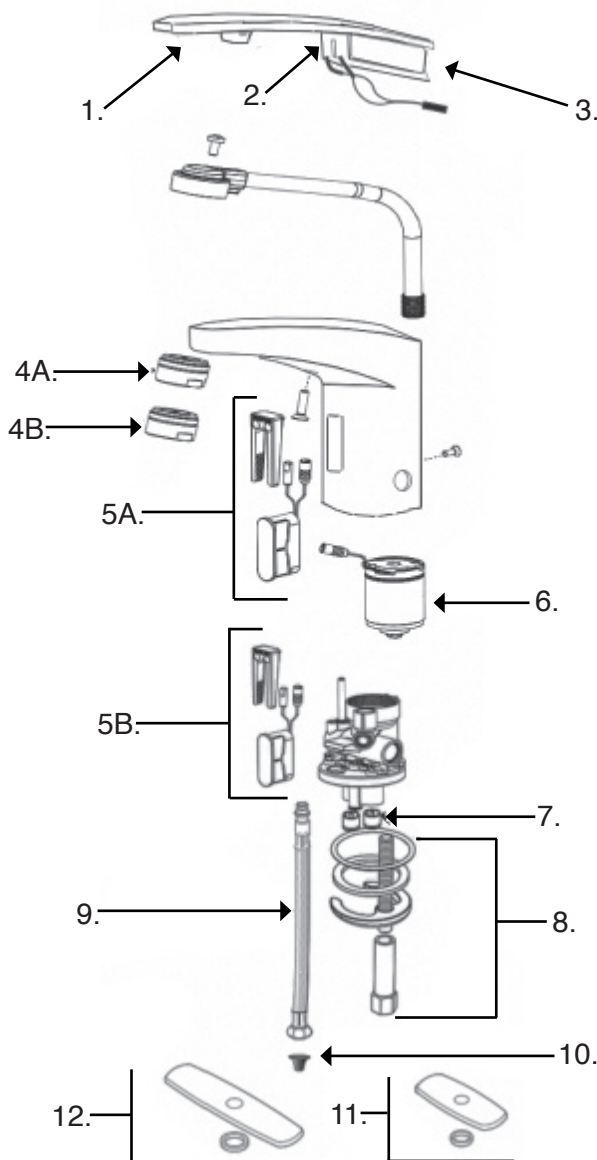


Sloan EAF-350-BAT POWERED, SENSOR ACTIVATED, DECK MOUNTED, HOT OR COLD HAND WASHING FAUCET

- Mounting type: Single hole
- Water supply connection with flexible hose
- Bi-stable magnetic solenoid valve
- Mounting hardware included
- 6 V Lithium CR-P2 commercial battery included



Part No. **92651**



Parts

- | | |
|-----------------|------------------------------|
| 1. 9294 | Cover |
| 2. 9370 | Cover clip-battery support |
| 3. 9371 | Battery replacement kit |
| 4A. 9239 | 1.5gpm AER spray head |
| 4B. 9296 | 0.5gpm AER spray head |
| 5A. 9297 | Sensor with 15 sec. shut off |
| 5B. 9298 | Sensor with 7 sec. shut off |
| 6. 9247 | Solenoid valve cartridge |
| 7. 9299 | Back check |
| 8. 9242 | Faucet mounting kit |
| 9. 9244 | 13" Flexible supply hose |
| 10. 9243 | Filter |
| 11. 9233 | 4" Trimplate |
| 12. 9234 | 8" Trimplate |

Toll Free: 800-327-3022



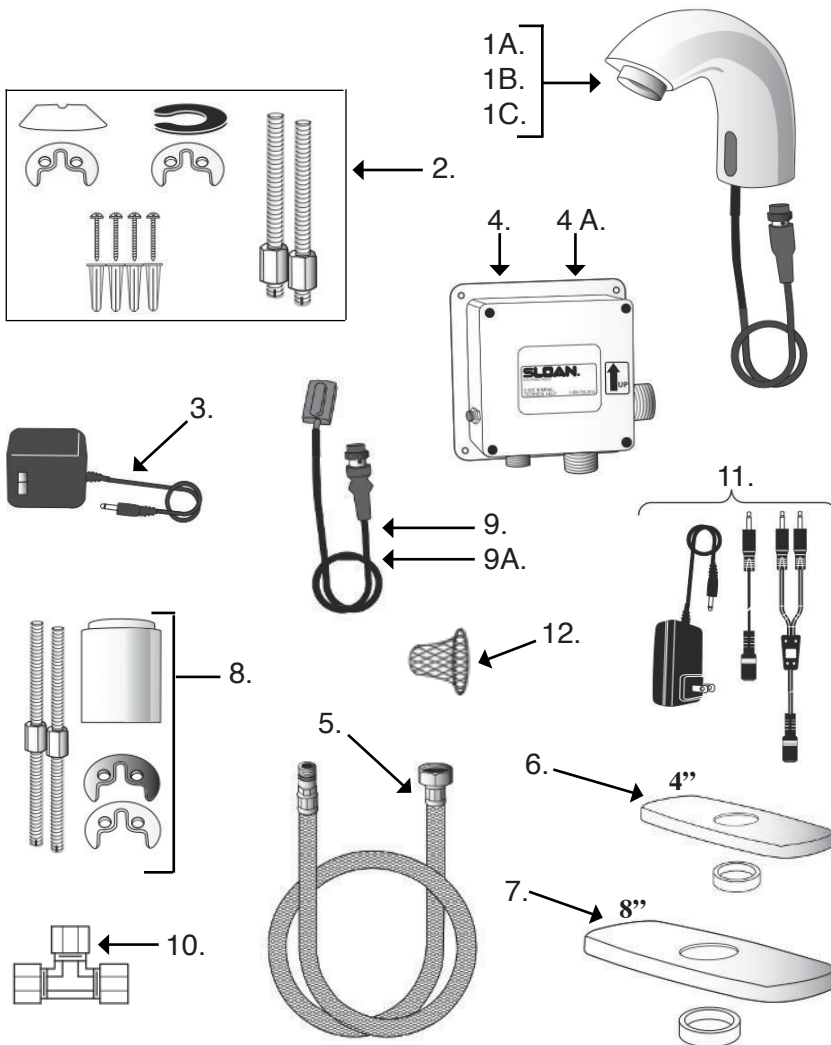
Fax Free: 800-327-5689

Sloan SF-2150 Pedestal Electronic Sensor Activated Hand Faucet for Tempered or Hot/Cold Water

- Splash-proof Circuit Control Module
- Adjustable Infrared Sensor Range
- 36" Long Sensor Cable
- 24" Long Flex Hose
- Filtered Solenoid Valve with serviceable strainer filter
- Back-Check Tee for Hot/Cold Supply
- 6 VDC Plug-in Adaptor
- Non-aerated Spray Head
- Includes (4) AA-size Batteries (30100044)
- Includes appropriate Mounting Hardware
- Trim Plate Kit for 4" Centerset Sink



Part No. **40103112**



Parts

- | | |
|---------------------|---|
| 1A. 9237 | 2.2 Male Aerator |
| 1B. 40110166 | 2.2 Vandal Proof Aerator |
| 1C. 9239 | 1.5 Male Aerator |
| 2. 9231 | Mounting Hardware Kit |
| 3. 9232 | 110 VAC/6 VDC Plug-in Adaptor (US) |
| 4. 40103121 | Module (6 pin connector) |
| 4A. 40103122 | Module (4 pin connector) (Before 2008) Used 4 pin |
| 5. 40103123 | Flex Hose Control Module to Spout (all models) |
| 6. 9233 | 4" Trim Plate with Spacer |
| 7. 9234 | 8" Trim Plate with Spacer |
| 8. 9235 | Faucet Extension Kit |
| 9. 40103125 | Sensor Assy. 6 pin connector |
| 9A. 40103126 | Sensor Assy. 4 pin connector (Before 2008) used 4 pin |
| 10. 40103127 | 3/8" Back-Check Tee |
| 11. 9236 | 100-240 VAC/6 VDC Gang Adaptor Kit |
| 12. 40103132 | Inlet Strainer for Control Module |



Sloan SF-2250 Electronic Gooseneck Sensor Activated Hand Faucet for Temp or Hot/Cold water



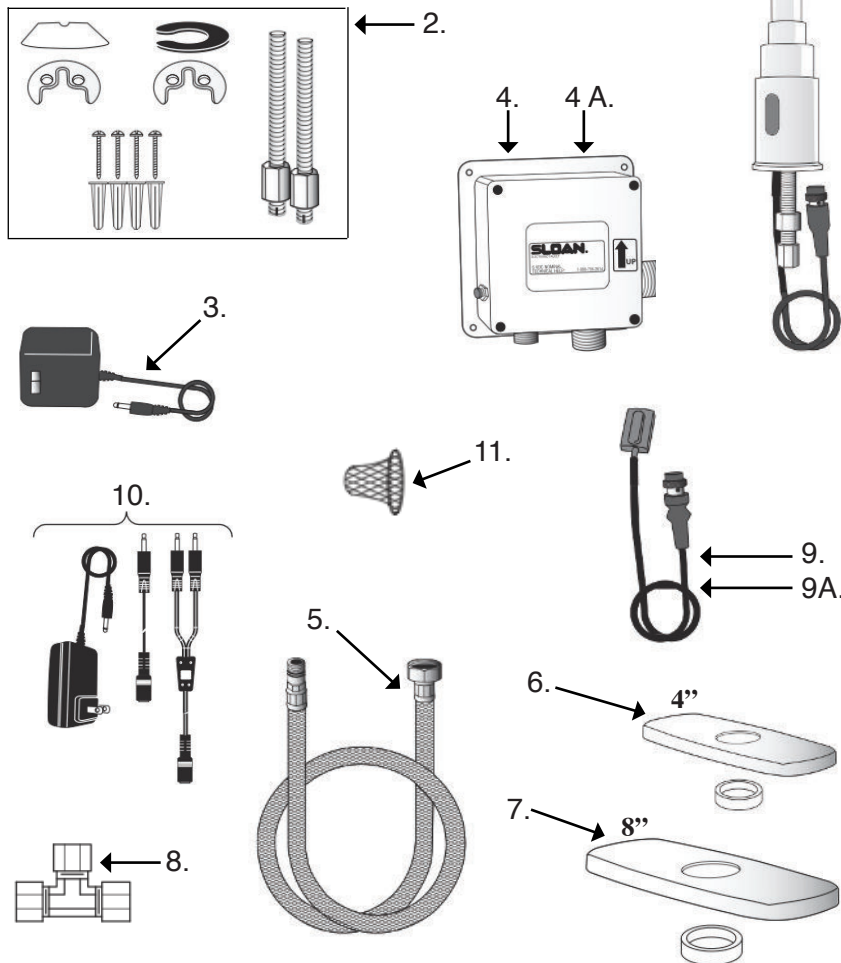
- Splash-proof Circuit Control Module
- Adjustable Infrared Sensor Range
- 36" Long Sensor Cable
- 24" Long Flex Hose
- Filtered Solenoid Valve with serviceable strainer filter
- Back-Check Tee for Hot/Cold Supply
- 6 VDC Plug-in Adaptor
- Laminar Spray Head
- Includes (4) AA-size Batteries (30100044)
- Includes appropriate Mounting Hardware
- Trim Plate Kit for 4" Centerset Sink

Part No. **40103113**



Parts

- 1A. **40110436** 1.5 Female Laminar Aerator
- 1B. **40110025** 2.2 Female Vandal Proof Aerator
- 2. **9231** Mounting Hardware Kit
- 3. **9232** 110 VAC/6 VDC Plug-in Adaptor (US)
- 4. **40103121** Module (6 pin connector)
- 4A. **40103122** Module (4 pin connector) (Before 2008) Used 4 pin
- 5. **40103123** Flex Hose Control Module to Spout (all models)
- 6. **9233** 4" Trim Plate with Spacer
- 7. **9234** 8" Trim Plate with Spacer
- 8. **40103127** 3/8" Back-Check Tee
- 9. **40103125** Sensor Assy. 6 pin connector
- 9A. **40103126** Sensor Assy. 4 pin connector (Before 2008) Used 4 pin
- 10. **9236** 100-240 VAC/6 VDC Gang Adaptor Kit
- 11. **40103132** Inlet Strainer for Control Module



Toll Free: 800-327-3022

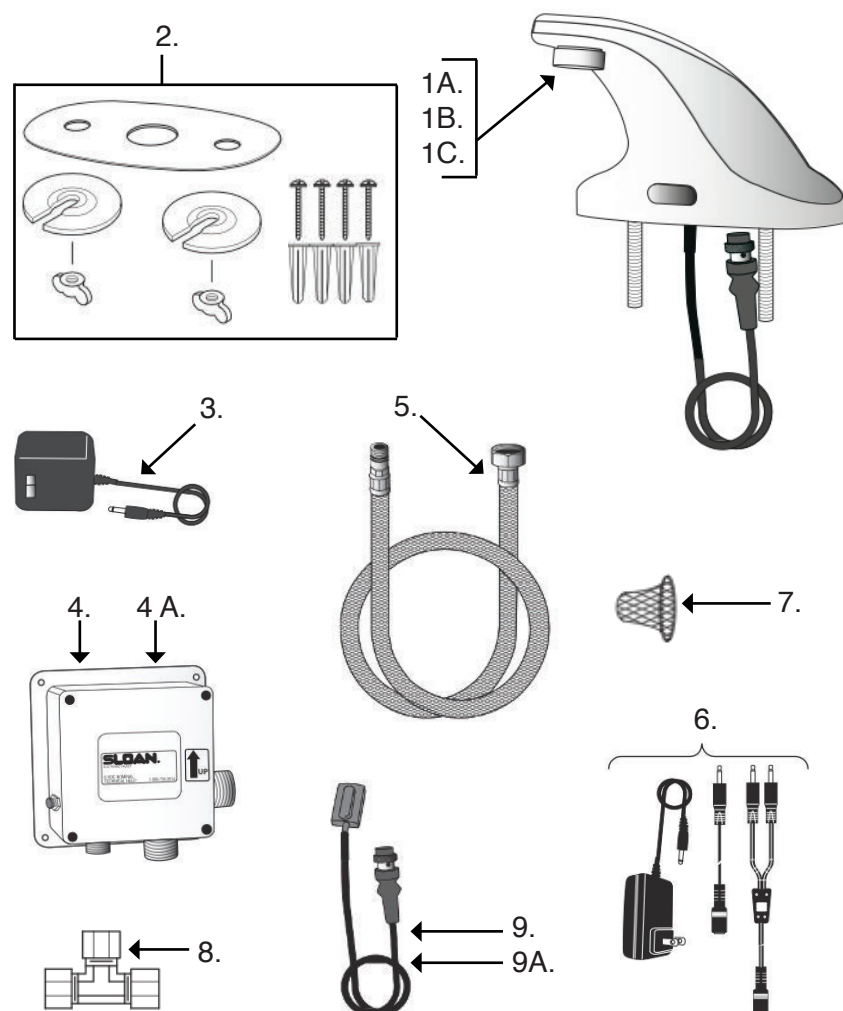


Fax Free: 800-327-5689

Sloan SF-2350 Electronic 4" Center-Set Sensor Activated Hand Faucet for Tempered or Hot/Cold Water

Part No. **40103114****SLOAN.**

- Splash-proof Circuit Control Module
- Adjustable Infrared Sensor Range
- 36" Long Sensor Cable
- 24" Long Flex Hose
- Filtered Solenoid Valve with serviceable strainer filter
- Back-Check Tee for Hot/Cold Supply
- 6 VDC Plug-in Adaptor
- Aerator Spray Head
- Includes (4) AA-size Batteries (30100044)
- Includes appropriate Mounting Hardware



Parts

- | | |
|---------------------|--|
| 1A. 9237 | 2.2 Male Aerator |
| 1B. 40110166 | 2.2 Vandal Proof Aerator |
| 1C. 9239 | 1.5 Male Aerator |
| 2. 9238 | Mounting Hardware Kit |
| 3. 9232 | 110 VAC/6 VDC Plug-in Adaptor (US) |
| 4. 40103121 | Module (6 pin connector) |
| 4A. 40103122 | Module (4 pin connector)
(Before 2008) Used 4 pin |
| 5. 40103123 | Flex Hose Control Module to Spout (all models) |
| 6. 9236 | 100-240 VAC/6 VDC Gang Adaptor Kit |
| 7. 40103132 | Inlet Strainer for Control Module |
| 8. 40103127 | 3/8" Back-Check Tee |
| 9. 40103125 | Sensor Assy. 6 pin connector |
| 9A. 40103126 | Sensor Assy. 4 pin connector
(Before 2008) Used 4 pin |



Sloan SF-2450 Electronic Pedestal Sensor Activated Hand Faucet for Tempered or Hot/Cold Water

- Splash-proof Circuit Control Module
- Adjustable Infrared Sensor Range
- 36" Long Sensor Cable
- 24" Long Flex Hose
- Filtered Solenoid Valve with serviceable strainer filter
- Back-Check Tee for Hot/Cold Supply
- 6 VDC Plug-in Adaptor
- Non-aerated Spray Head
- Includes (4) AA-size Batteries (30100044)
- Includes appropriate Mounting Hardware
- Trim Plate Kit for 4" Centerset Sink

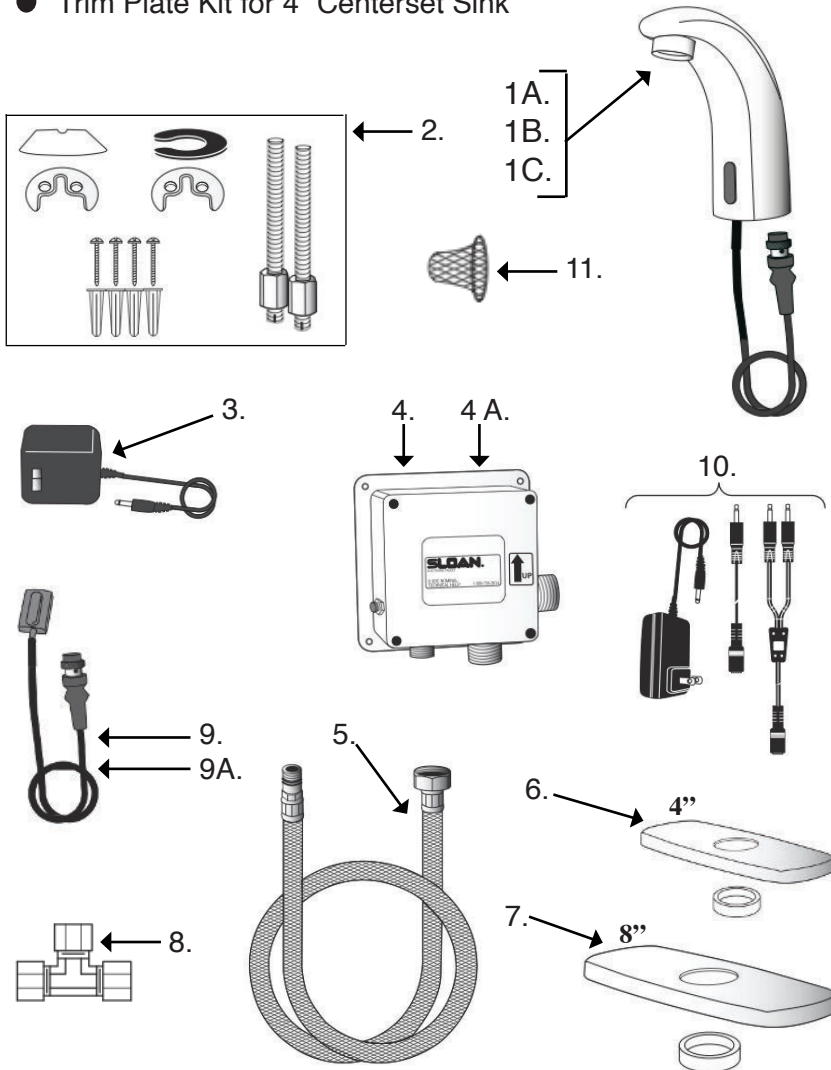


Part No. **92628**



Parts

- | | |
|---------------------|--|
| 1A. 9237 | 2.2 Male Aerator |
| 1B. 40110166 | 2.2 Vandal Proof Aerator |
| 1C. 9239 | 1.5 Male Aerator |
| 2. 9231 | Mounting Hardware Kit |
| 3. 9232 | 110 VAC/6 VDC Plug-in Adaptor (US) |
| 4. 40103121 | Module (6 pin connector) |
| 4A. 40103122 | Module (4 pin connector)
(Before 2008) Used 4 pin |
| 5. 40103123 | Flex Hose Control Module to Spout (all models) |
| 6. 9233 | 4" Trim Plate with Spacer |
| 7. 9234 | 8" Trim Plate with Spacer |
| 8. 40103127 | 3/8" Back-Check Tee |
| 9. 40103125 | Sensor Assy. 6 pin connector |
| 9A. 40103126 | Sensor Assy. 4 pin connector
(Before 2008) Used 4 pin |
| 10. 9236 | 100-240 VAC/6 VDC Gang Adaptor Kit |
| 11. 40103132 | Inlet Strainer for Control Module |



Toll Free: 800-327-3022

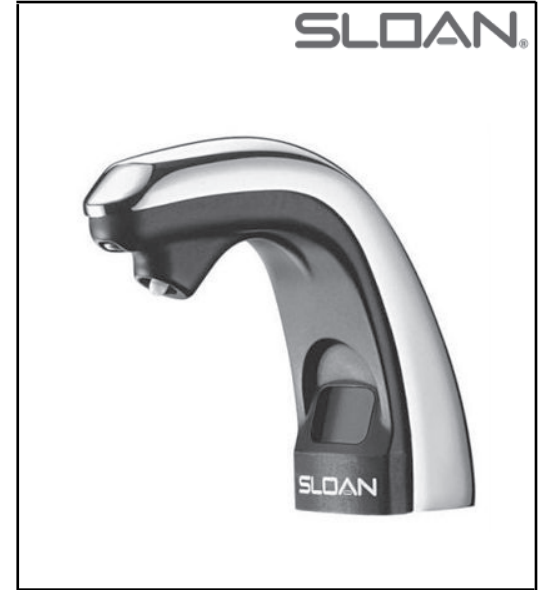


Fax Free: 800-327-5689

Sloan ESD-250 Electronic Sensor Activated Soap Dispenser



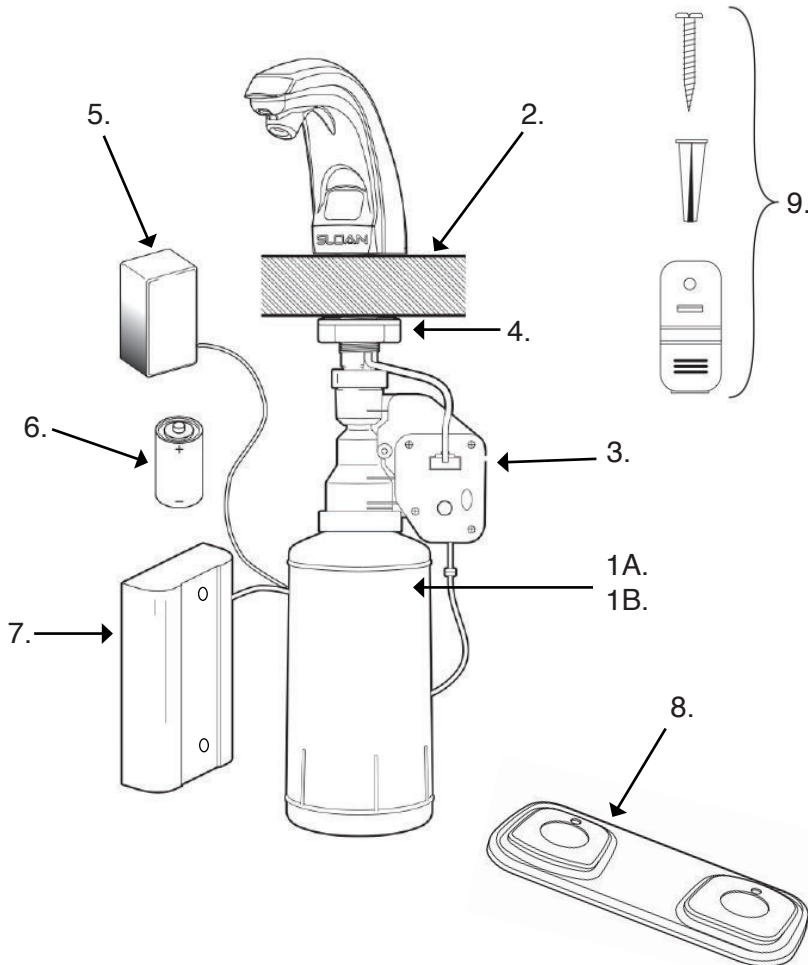
Part No. **92638**



- Modular One-piece Construction
- Active Infrared Sensor
- 120 Vac plug-in Adaptor (Model ESD-200)
- Four (4) D-size Alkaline batteries included (Model ESD-250)
- D-size Alkaline battery (30100058)
- Low battery indicator (Model ESD-250)
- Mounting hardware included
- Low soap level indicator
- Easy loading disposable soap refills
- New pump and delivery tube with each refill
- Unit supplied with one 800ml. container of lotion soap

Parts

- | | |
|--------------------|--------------------------------|
| 1A. 9292 | 800 ml. Soap Refill Cartridge |
| 1B. 9293 | 1600 ml. Soap Refill Cartridge |
| 2. 9285 | Rubber gasket |
| 3. 9286 | Motor Assy. |
| 4. 9287 | Flange nut |
| 5. 9288 | Plug-in Transformer |
| 6. 30100058 | D-size Alkaline Batteries (4) |
| 7. 9289 | Battery pack |
| 8. 9290 | Trim Plate |
| 9. 9291 | Battery Pack Mounting Hardware |

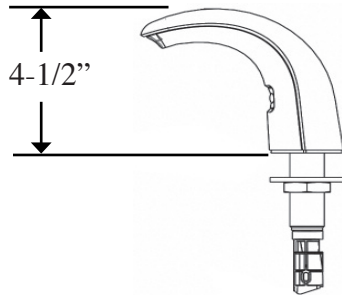




Sloan ESD-1500-CP Sensor Activated Deck Mounted Foam Soap Dispenser

Part No. 92637

- Modular one-piece construction
- Ships with 2 bottles of non-scented foam soap
- All electronics in spout are sealed
- Motor assembly rotates 360 degrees for easy installation
- Soap refills: ESD-321 (1500mL.)
- 120V/15 Amp
- Includes appropriate Mounting Hardware
- Mounts on a single-hole lavatory or deck
- Includes (4) D-size Alkaline Batteries (30100058)

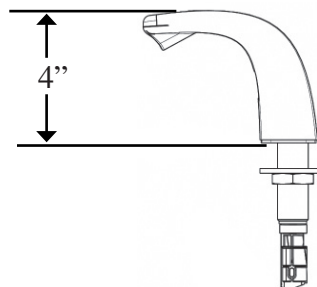


Please Call For Replacement And Repair Parts (1-800-327-3022)

Part No. 94010

Sloan ESD-600-CP Sensor Activated Deck Mounted Foam Soap Dispenser

- Modular one-piece construction
- Ships with 2 bottles of non-scented foam soap
- All electronics in spout are sealed
- Motor assembly rotates 360 degrees for easy installation
- Soap refills: ESD-321 (1500mL.)
- 120V/15 Amp
- Includes appropriate Mounting Hardware
- Mounts on a single-hole lavatory or deck
- Includes (4) D-size Alkaline Batteries (30100058)



Toll Free: 800-327-3022



Fax Free: 800-327-5689

Sloan OPTIMA Regal 111-XL-SMO Battery Powered Sensor Activated Side Mount Closet Flushometer

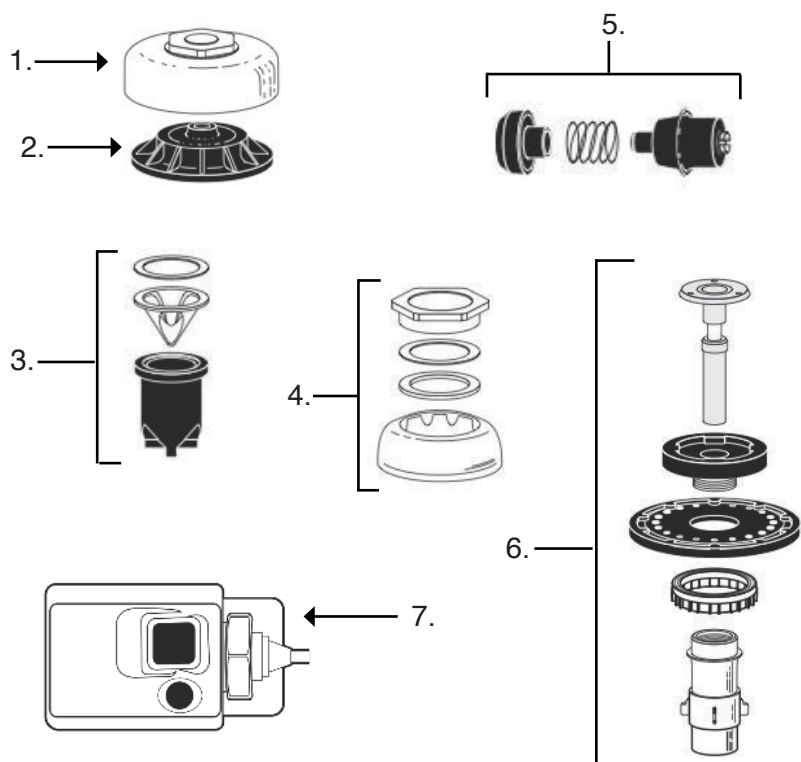
Part No. **92603**



- ADA Compliant OPTIMA Battery powered infrared sensor for “No Hands” operation
- Chrome plated infrared Sensor housing
- Angled sensor window
- Manual Override flush button
- Four (4) size C Batteries included (30100057)
- Low Battery flashing LED with optional audio tone
- User in view flashing LED
- Optional 24-Hour sentinel flush
- Infrared sensor range adjustment screw and reset button
- 1” I.P.S. screwdriver Back-Check angle stop
- Control stop plug
- Sweat solder adaptor with cover tube and set screw wall flange
- Adjustable tailpiece
- Vacuum breaker flush connection
- Spud coupling, wall and spud flanges for 1-1/2” top spud
- No external volume adjustment to ensure water conservation
- Stop seat and Vacuum breaker molded from PERMEX

Parts

1. **40261172** Chrome plated cover
2. **40261124** Inside Cover
3. **40201005** Vacuum Breaker Kit
4. **40266146** 1-1/2” Closet Spud Coupling
5. **9726** 1” Control Stop Repair kit
6. **40261041** 1.6 Closet Diaphragm Inside Low Consumption Repair Kit
7. **40260003** Battery Powered Side Mount Operator for Flushometers.





Sloan OPTIMA Regal 186-XL-SMO Battery Powered Sensor Activated Side Mount Urinal Flushometer

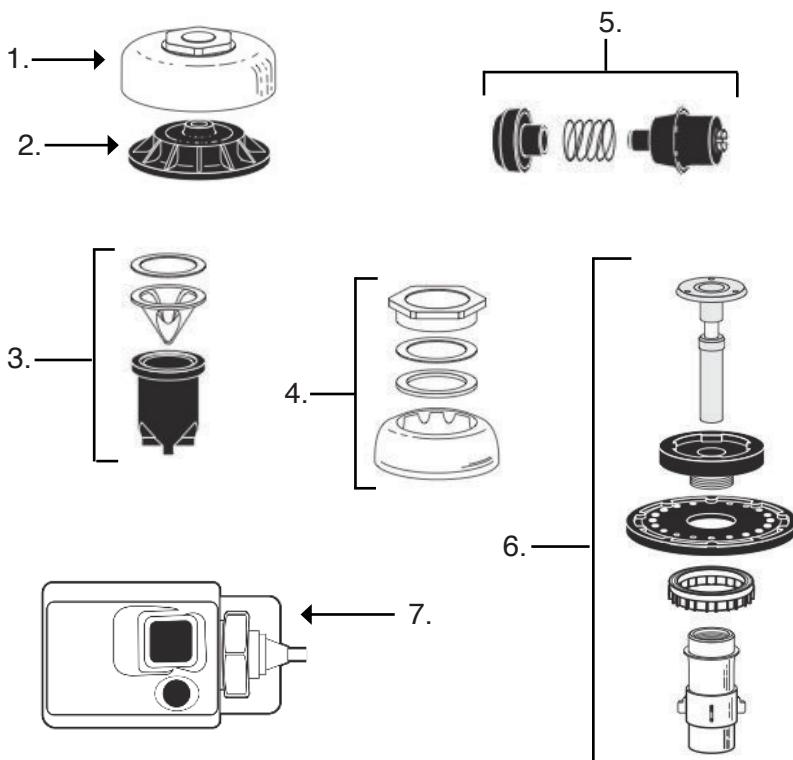
Part No. **92604**



- ADA Compliant OPTIMA Battery powered infrared sensor for “No Hands” operation
- Chrome plated infrared Sensor housing
- Angled sensor window
- Manual Override flush button
- Four (4) size C Batteries included (30100058)
- Low Battery flashing LED with optional audio tone
- User in view flashing LED
- Optional 24-Hour sentinel flush
- Infrared sensor range adjustment screw and reset button
- 3/4” I.P.S. screwdriver Back-Check angle stop
- Control stop plug
- Sweat solder adaptor with cover tube and set screw wall flange
- Adjustable tailpiece
- Vacuum breaker flush connection
- Spud coupling, wall and spud flanges for 3/4” top spud
- No external volume adjustment to ensure water conservation
- Stop seat and Vacuum breaker molded from PERMEX

Parts

1. **40261172** Chrome plated cover
2. **40261124** Inside Cover
3. **40201005** Vacuum Breaker Kit
4. **40266125** 3/4” Urinal Spud Coupling
5. **9727** 3/4” Control Stop Repair kit Pre-1996
6. **9726** 1” Control Stop Repair kit After-1996
7. **40261044** 1.0 Urinal Diaphragm Inside Low Consumption Repair Kit
8. **40260003** Battery Powered Side Mount Operator for Flushometers.



Toll Free: 800-327-3022



Fax Free: 800-327-5689

Sloan OPTIMA Plus Dual Flush And Single Flush Battery Powered Sensor Activated Side Mount Unit

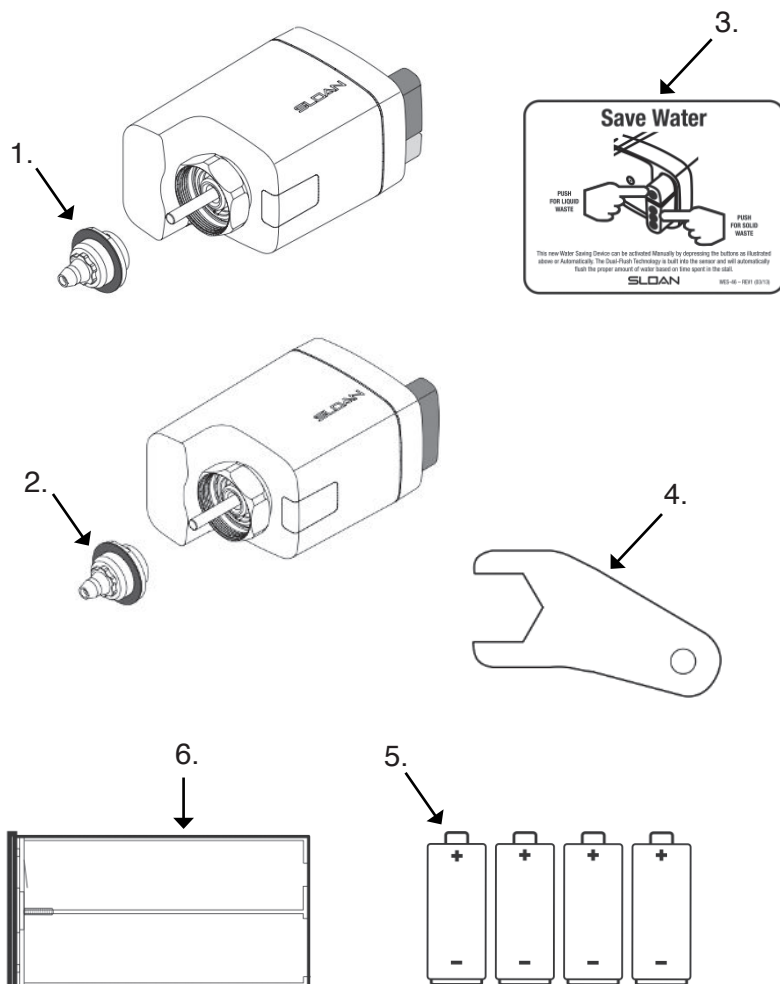
Part No. **94000**



Part No. **4026003**



- ADA Compliant OPTIMA Battery powered infrared sensor for “No Hands” operation
- Chrome plated metal infrared Sensor housing
- Non-hold open true mech. override button
- Initial set-up range indicator light (first 10 min.)
- Four (4) size AA Alkaline batteries included
- “Low” Flashing LED
- “User in view” Flashing LED
- Installation tools included



Parts

- | | |
|--------------------|-------------------------------------|
| 1. 94001 | Dual-flush sleeve assembly |
| 2. 94002 | Single-flush sleeve assembly |
| 3. 94003 | Dual-flush Wall plate |
| 4. 9298 | Collar wrench |
| 5. 30100044 | AA-Battery (1-each)
(4) required |
| 6. 94004 | Battery tray assembly |



Sloan G2 Optima Plus 8111 Battery Powered Sensor Activated Flushometer for Floor Mounted or Wall hung Toilets

Part No. **92606**



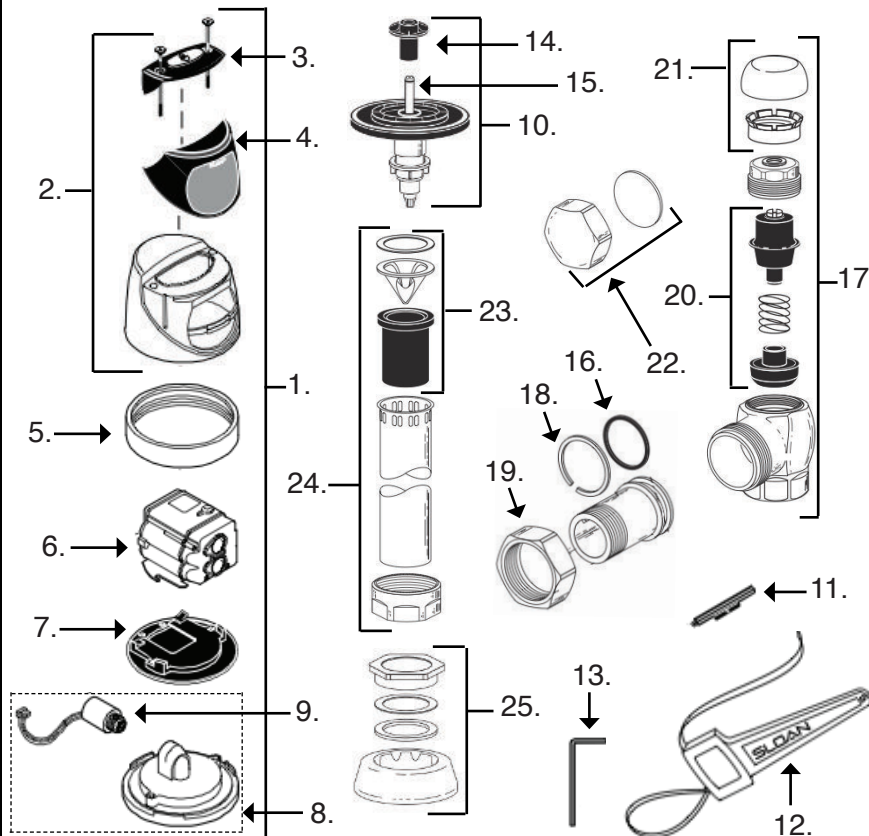
Closet 1.6

- PERMEX Synthetic diaphragm with dual filtered fixed bypass
- Flex tube diaphragm designed for improved life.
- ADA compliant Optima plus battery powered infrared sensor for automatic “No Hands” operation
- Infrared sensor with multiple focused, lobular sensing fields for high and low target detection.
- Engineered metal cover with replaceable lens window
- User friendly three (3) second flush delay
- Courtesy flush override button
- Four (4) size AA batteries factory installed (30100044)
- Low battery flashing LED
- Infrared sensor range adjustment screw
- Free spinning vandal resistant stop cap
- Adjustable taipiece
- High back pressure vacuum breaker flush connection
- Spud coupling and flange for 1-1/2” top spud
- Fixed metering bypass and no external volume adjustment to ensure water conservation.



Parts

- | | | |
|-----|-----------------|-------------------------------------|
| 1. | 92640 | Cover / Ring / Sensor Assy. |
| 2. | 40260322 | Cover Assy. |
| 3. | 92645 | Override button Assy. |
| 4. | 40268862 | Lens window cover |
| 5. | 40268849 | Locking ring |
| 6. | 40261290 | Electric module-water closet (blue) |
| 7. | 92649 | Cover rest plate |
| 8. | 92676 | Inside Cover Assy. |
| 9. | 40261360 | Isolated Solenoid |
| 10. | 40265001 | Flex tube diaphragm kit Closet |
| 11. | 92671 | Trimpot Screwdriver |
| 12. | 92672 | Strap Wrench |
| 13. | 92677 | 7/64” Hex Wrench |
| 14. | 92665 | Green regulator 1.6 gpf |
| 15. | 40260005 | O-ring |
| 16. | 40950069 | O-ring |
| 17. | 40268029 | 1” Screwdriver stop complete |
| 18. | 40268381 | Lock Ring |
| 19. | 40268854 | Coupling Nut |
| 20. | 9726 | 1” Screwdriver stop repair Kit |
| 21. | 40268855 | 1” Vandal proof stop cap |
| 22. | 40268853 | Handle cap (metal) |
| 23. | 40201005 | Vacuum breaker repair kit |
| 24. | 40261040 | 1-1/2” x 9” Vacuum breaker |
| 25. | 40266146 | 1-1/2” CP Spud Coupling |



Toll Free: 800-327-3022



Fax Free: 800-327-5689

Sloan G2 OPTIMA Plus 8186 Battery Powered Sensor Activated Flushometer for Floor Mounted or Wall hung Toilets

Part No. 92607

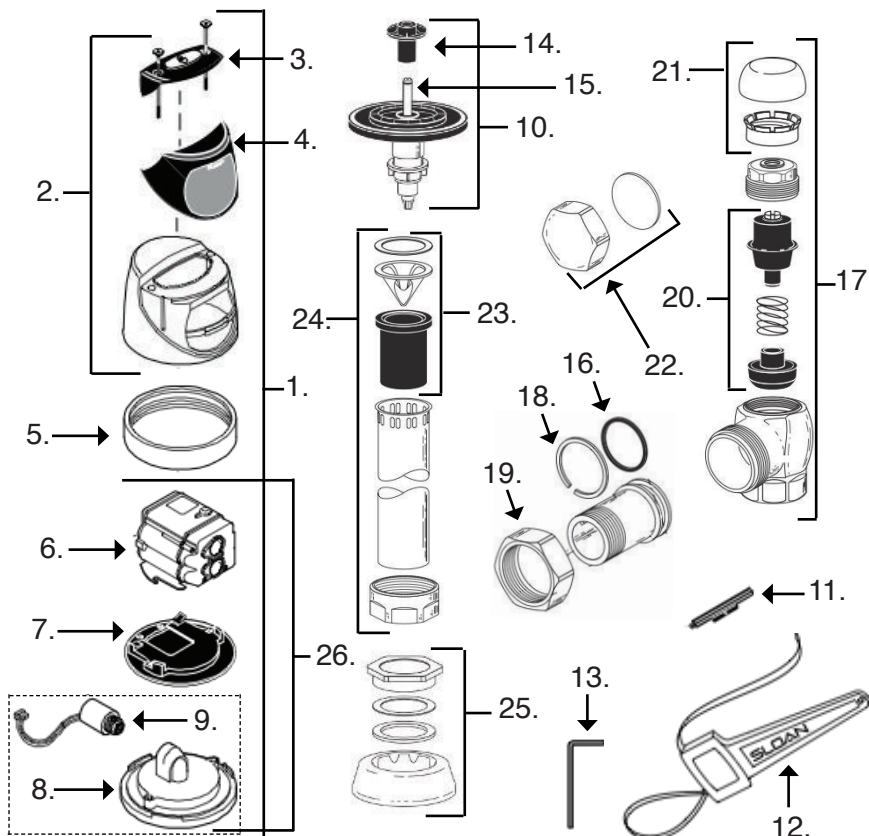


- PERMEX Synthetic diaphragm with dual filtered fixed bypass
- Flex tube diaphragm designed for improved life.
- ADA compliant Optima plus battery powered infrared sensor for automatic "No Hands" operation
- Infrared sensor with multiple focused, lobular sensing fields for high and low target detection.
- Engineered metal cover with replaceable lens window
- User friendly three (3) second flush delay
- Courtesy flush override button
- Four (4) size AA batteries factory installed (30100044)
- Low battery flashing LED
- Infrared sensor range adjustment screw
- Free spinning vandal resistant stop cap
- Adjustable tapiece
- High back pressure vacuum breaker flush connection
- Spud coupling and flange for 3/4" top spud
- Fixed metering bypass and no external volume adjustment to ensure water conservation.



Parts

1. **92641** Cover / Ring / Sensor Assy.
2. **40260322** Cover Assy.
3. **92645** Override button Assy.
4. **40268862** Lens window cover
5. **40268849** Locking ring
6. **92648** Electric module-water Urinal
7. **92649** Cover rest plate
8. **92676** Inside Cover Assy.
9. **40261360** Isolated Solenoid
10. **40265000** Flex tube diaphragm kit Urinal
11. **92671** Trimpot Screwdriver
12. **92672** Strap Wrench
13. **92677** 7/64" Hex Wrench
14. **92665** Green regulator 1.0 gpf
15. **40260005** O-ring
16. **40950069** O-ring
17. **9701** 3/4" screwdriver stop complete
18. **40268381** Lock Ring
19. **40268854** Coupling Nut
20. **9726** Screwdriver stop Repair Kit
21. **9737** 3/4" Vandal proof stop cap
22. **40268853** Handle cap (metal)
23. **40201005** Vacuum breaker repair kit
24. **40263005** 3/4" x 9" Vacuum breaker
25. **40266125** 3/4" CP Spud Coupling
26. **40261179** Urinal module assembly





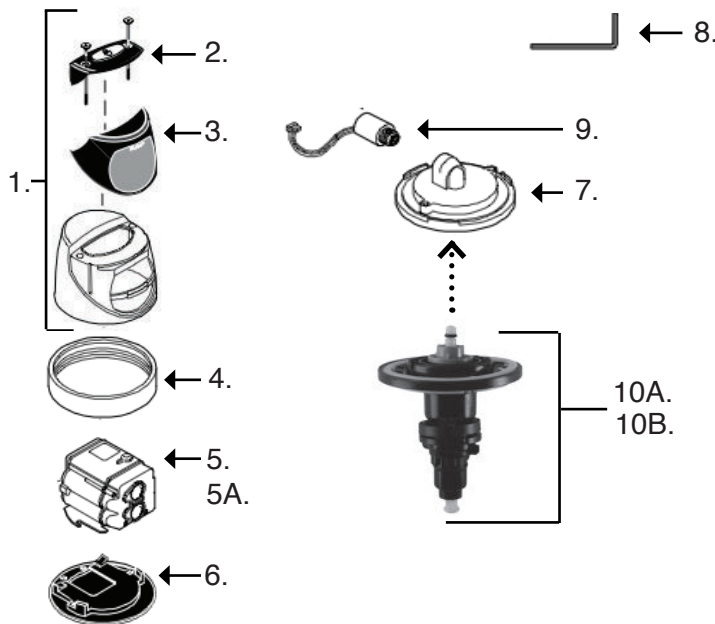
Sloan G2 OPTIMA Plus RESS-C Exposed Battery Powered Sensor Activated Retrofit Kit for Closet Flushometer

Part No. **92976**

- PERMEX Synthetic diaphragm with dual filtered fixed bypass
- ADA compliant Optima plus battery powered infrared sensor for automatic "No Hands" operation
- Courtesy flush override button
- Four (4) size AA batteries factory installed (30100044)
- Low battery flashing LED



Closet 1.6 RESS-C



- | | | |
|------|-----------------|---------------------------|
| 1. | 40260322 | Cover Assy. |
| 2. | 92645 | Override button Assy. |
| 3. | 40268862 | Lens window cover |
| 4. | 40268849 | Locking ring |
| 5. | 40261290 | Electric module Closet |
| 5A. | 92648 | Electric module Urinal |
| 6. | 92649 | Cover rest plate |
| 7. | 92676 | Inside Cover Assy. |
| 8. | 92677 | 7/64" Hex Wrench |
| 9. | 40261360 | Isolated Solenoid |
| 10A. | 40265001 | Closet drop-in repair kit |
| 10B. | 40265000 | Urinal drop-in repair kit |

TMS Part No. **92970**



Urinal 1.0 RESS-U

Sloan G2 OPTIMA Plus RESS-U Exposed Battery Powered Sensor Activated Retrofit Kit for Urinal Flushometer

- PERMEX Synthetic diaphragm with dual filtered fixed bypass
- ADA compliant Optima plus battery powered infrared sensor for automatic "No Hands" operation
- Courtesy flush override button
- Four (4) size AA batteries factory installed (30100044)
- Low battery flashing LED

Toll Free: 800-327-3022



Fax Free: 800-327-5689

Sloan ECOS RESS-C-1.6/1.1 Dual Flush Battery Powered Sensor Activated Retrofit Kit for Exposed Closet Flushvalve

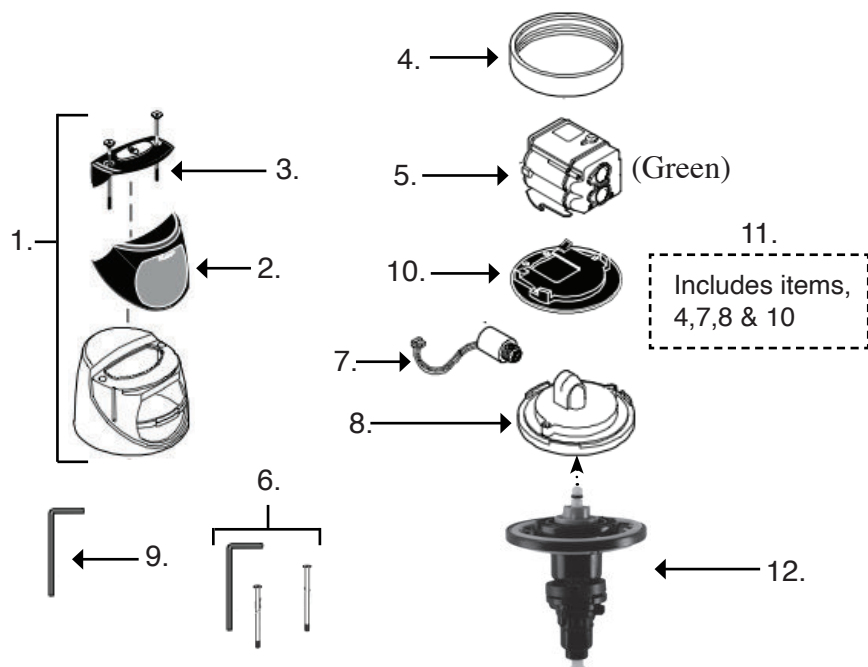
Part No. **92971**

- PERMEX Synthetic diaphragm with dual filtered fixed bypass
- Flex tube diaphragm designed for improved life.
- ADA compliant Optima plus battery powered infrared sensor for automatic "No Hands" operation
- Infrared sensor with multiple focused, lobular sensing fields for high and low target detection.
- Engineered metal cover with replaceable lens window
- User friendly three (3) second flush delay
- Courtesy flush override button
- Four (4) size AA batteries factory installed (30100044)
- Low battery flashing LED
- Infrared sensor range adjustment screw



* *If the user is present for less than one minute and leaves the sensing zone or chooses the small override button, a reduced flush initiates 1.1 gpf eliminating liquid and paper waste, saving 1/2 gallon of water.*

* *If the user is present for greater than one minute and leaves the zone or chooses the large override button, the full flush initiates 1.6 gpf eliminating solid waste and paper.*



Parts

1. **9355** Cover Assy.
2. **40268862** Lens window cover
3. **9356** Override button Assy.
4. **40268849** Locking ring
5. **9357** Electric module-Dual Flush (Green)
6. **9358** Screws (2) and Hex wrench
7. **40261360** Isolated Solenoid
8. **92676** Inside cover Assy.
9. **92677** 7/64" Hex Wrench
10. **92649** Cover rest plate
11. **9359** Metal Inner cover repair kit includes items, 4,7,8 & 10
12. **40265001** Drop-in repair kit for closet & dual flush flushvalves



Sloan SOLIS 8111 Solar Powered Sensor Activated Closet Flushometer for Floor Mounted or Wall hung Toilets

Part No. **92608**



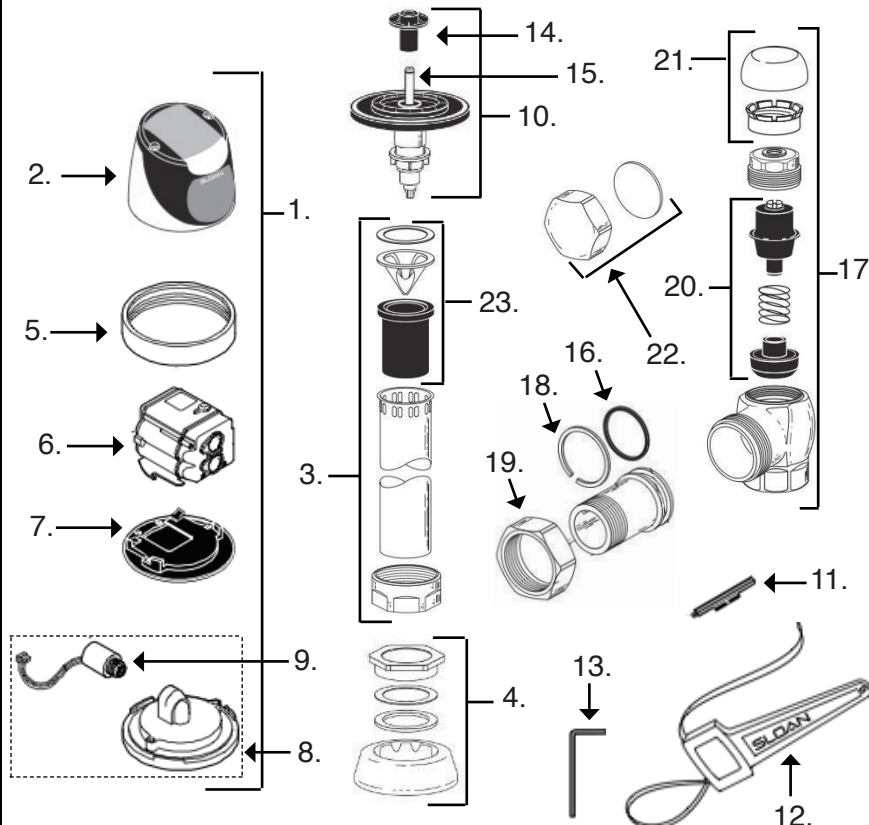
Closet 1.6

- PERMEX Synthetic diaphragm with dual filtered fixed bypass
- Flex tube diaphragm designed for improved life.
- ADA compliant Sloan Solis Solar powered infrared sensor for automatic "No Hands" operation
- Infrared sensor with multiple focused, lobular sensing fields for high and low target detection.
- Engineered metal cover with replaceable lens window
- User friendly three (3) second flush delay
- Courtesy flush override button
- Four (4) size AA battery back-up power source (30100044)
- Low battery flashing LED
- Infrared sensor range adjustment screw
- Free spinning vandal resistant stop cap
- Adjustable tapiece
- High back pressure vacuum breaker flush connection
- Spud coupling and flange for 1-1/2" top spud
- Fixed metering bypass and no external volume adjustment to ensure water conservation.



Parts

- | | | |
|-----|-----------------|--------------------------------|
| 1. | 92972 | Sloan 1.6 closet retro kit |
| 2. | 9351 | Cover Assy. |
| 3. | 40261040 | 1-1/2" x 9" Vacuum breaker |
| 4. | 40266146 | 1-1/2" CP Spud Coupling |
| 5. | 40268849 | Locking ring |
| 6. | 9361 | Sensor Assy. - water closet |
| 7. | 92649 | Cover rest plate |
| 8. | 92676 | Inside Cover Assy. |
| 9. | 40261360 | Isolated Solenoid |
| 10. | 40265001 | Flex tube diaphragm kit Closet |
| 11. | 92671 | Trimpot Screwdriver |
| 12. | 92672 | Strap Wrench |
| 13. | 92677 | 7/64" Hex Wrench |
| 14. | 92665 | Green regulator 1.6 gpf |
| 15. | 40260005 | O-ring |
| 16. | 40950069 | O-ring |
| 17. | 40268029 | 1" Screwdriver stop complete |
| 18. | 40268381 | Lock Ring |
| 19. | 40268854 | Coupling Nut |
| 20. | 9726 | 1" Screwdriver stop repair Kit |
| 21. | 40268855 | 1" Vandal proof stop cap |
| 22. | 40268853 | Handle cap (metal) |
| 23. | 40201005 | Vacuum breaker repair kit |



Toll Free: 800-327-3022



Fax Free: 800-327-5689

Sloan SOLIS 8186 Solar Powered Sensor Activated Urinal Flushometer for Floor Mounted or Wall hung Toilets

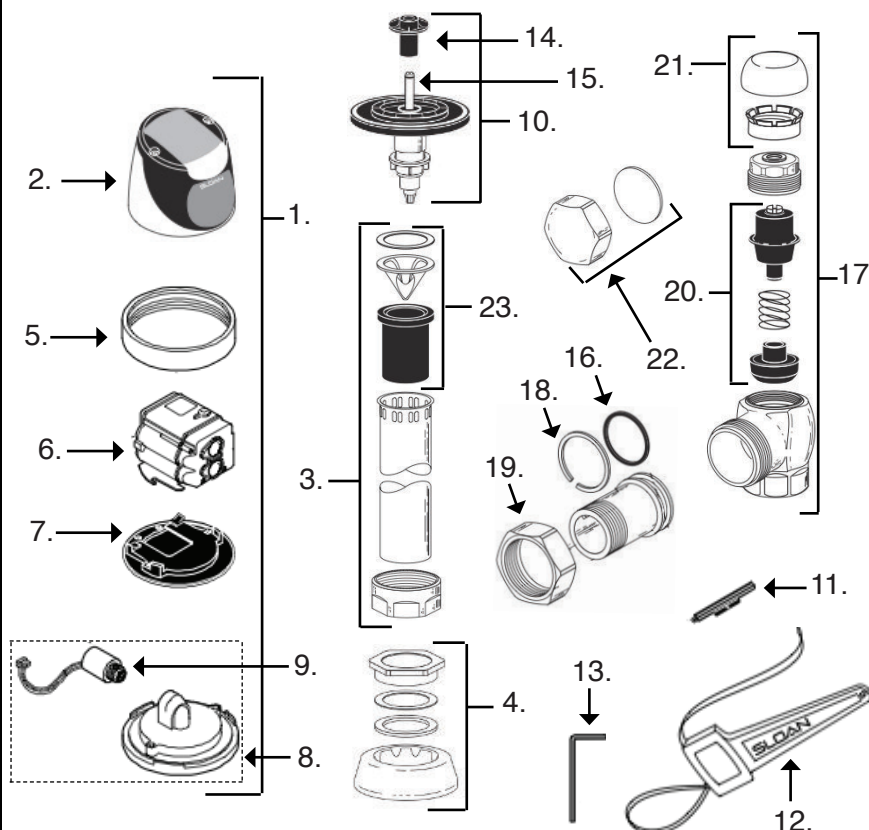
Part No. **92609****Urinal 1.0**

- PERMEX Synthetic diaphragm with dual filtered fixed bypass
- Flex tube diaphragm designed for improved life.
- ADA compliant Sloan Solis Solar powered infrared sensor for automatic "No Hands" operation
- Infrared sensor with multiple focused, lobular sensing fields for high and low target detection.
- Engineered metal cover with replaceable lens window
- User friendly three (3) second flush delay
- Courtesy flush override button
- Four (4) size AA battery back-up power (30100044)
- Low battery flashing LED
- Infrared sensor range adjustment screw
- Free spinning vandal resistant stop cap
- Adjustable taipiece
- High back pressure vacuum breaker flush connection
- Spud coupling and flange for 3/4" top spud
- Fixed metering bypass and no external volume adjustment to ensure water conservation.



Parts

- | | | |
|-----|-----------------|--------------------------------|
| 1. | 92973 | Sloan 1.0 urinal retro kit |
| 2. | 9351 | Cover Assy. |
| 3. | 40263005 | 3/4" x 9" Vacuum breaker |
| 4. | 40266125 | 3/4" CP Spud Coupling |
| 5. | 40268849 | Locking ring |
| 6. | 9362 | Sensor Assy. - Urinal |
| 7. | 92649 | Cover rest plate |
| 8. | 92676 | Inside Cover Assy. |
| 9. | 40261360 | Isolated Solenoid |
| 10. | 40265000 | Flex tube diaphragm kit Urinal |
| 11. | 92671 | Trimpot Screwdriver |
| 12. | 92672 | Strap Wrench |
| 13. | 92677 | 7/64" Hex Wrench |
| 14. | 92665 | Green regulator 1.0 gpf |
| 15. | 40260005 | O-ring |
| 16. | 40950069 | O-ring |
| 17. | 9701 | 3/4" Screwdriver stop complete |
| 18. | 40268381 | Lock Ring |
| 19. | 40268854 | Coupling Nut |
| 20. | 9726 | Screwdriver stop repair Kit |
| 21. | 9737 | 3/4" Vandal proof stop cap |
| 22. | 40268853 | Handle cap (metal) |
| 23. | 40201005 | Vacuum breaker repair kit |





Sloan SOLIS RESS-C Exposed Solar Powered Sensor Activated Retrofit Kit for Closet Flushometer

Part No. **92972**

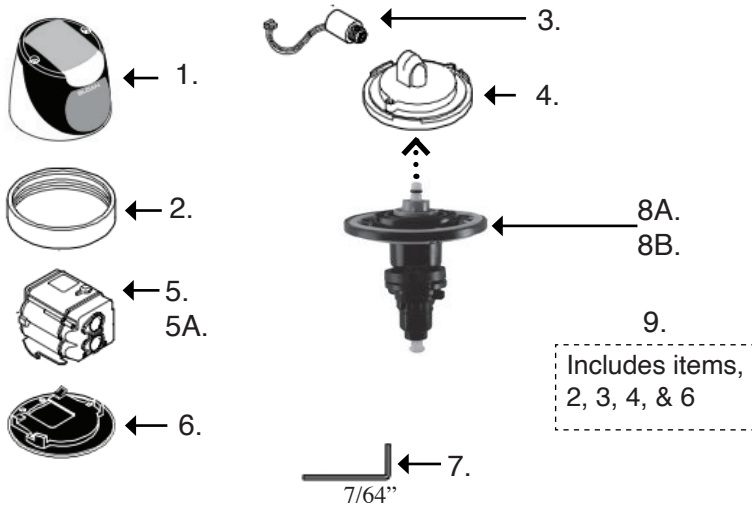


Closet 1.6 RESS-C

Parts

- 1. **9360** Cover Assy. (Solar)
- 2. **9364** Locking ring
- 3. **40261360** Isolated Solenoid
- 4. **92676** Inside Cover Assy.
- 5. **9361** Sensor module Closet
- 5A. **9362** Sensor module Urinal
- 6. **92649** Cover rest plate
- 7. **92677** 7/64" Hex Wrench
- 8A. **40265001** Closet drop-in repair kit
- 8B. **40265000** Urinal drop-in repair kit
- 9. **9359** Metal inner cover repair kit includes items, 2, 3, 4 & 6

- PERMEX Synthetic diaphragm with dual filtered fixed bypass
- Flex tube diaphragm designed for improved life.
- ADA compliant Sloan Solis Solar infrared sensor for automatic "No Hands" operation
- Infrared sensor with multiple focused, lobular sensing fields for high and low target detection.
- Four (4) size AA batteries back-up power source (30100044)
- Low battery flashing LED
- Infrared sensor range adjustment screw



Part No. **92973**



Urinal 1.0 RESS-U

Sloan SOLIS RESS-U Exposed Solar Powered Sensor Activated Retrofit Kit for Urinal Flushometer

- PERMEX Synthetic diaphragm with dual filtered fixed bypass
- Flex tube diaphragm designed for improved life.
- ADA compliant Sloan Solis Solar infrared sensor for automatic "No Hands" operation
- Infrared sensor with multiple focused, lobular sensing fields for high and low target detection.
- Four (4) size AA batteries back-up power source (30100044)
- Low battery flashing LED
- Infrared sensor range adjustment screw

Toll Free: 800-327-3022



Fax Free: 800-327-5689

Sloan SOLIS RESS-C-1.6/1.1 Dual Flush Solar Powered Sensor Activated Retrofit Kit for Closet Flushometer

Part No. **92974**

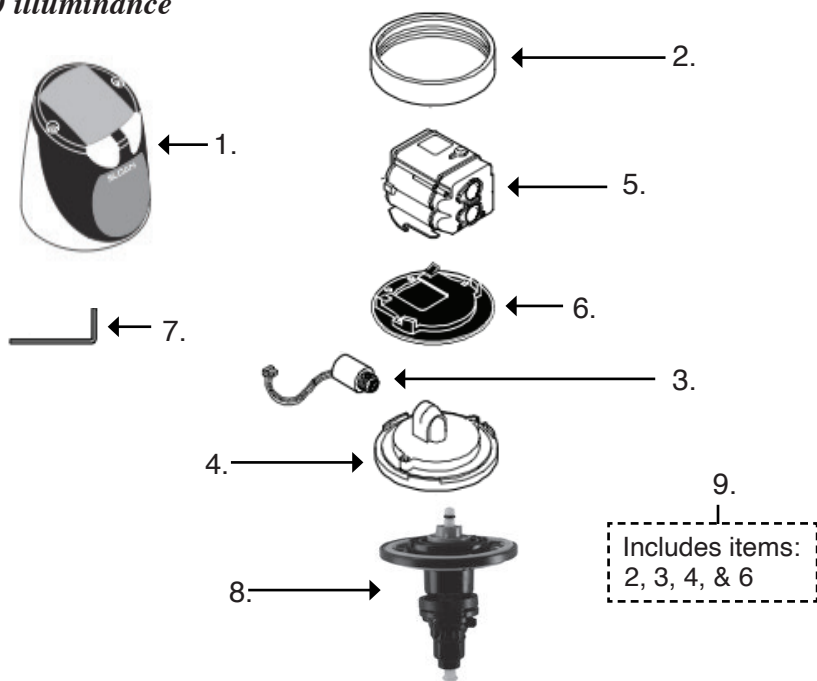


RESS-C-1.6/1.1
Closet 1.6/1.1 Dual Flush

- PERMEX Synthetic diaphragm with dual filtered fixed bypass
- Flex tube diaphragm designed for improved life.
- ADA compliant Sloan Solis Solar infrared sensor for automatic “No Hands” operation
- Infrared sensor with multiple focused, lobular sensing fields for high and low target detection.
- Engineered metal cover with replaceable lens window
- User friendly three (3) second flush delay
- Courtesy flush override button
- Four (4) size AA batteries back-up power source (30100044)
- Low battery flashing LED
- Infrared sensor range adjustment screw
- Reduces water volume by up to 30% when a reduced flush occurs.
- Initial set-up range indicator light (first 10 minutes)

Solar Powered. The sensor assembly is powered by a solar cell that will harvest power from artificial indoor light, either incandescent or florescent light, and use it as the energy source. The solar cell can provide approximately 100% power with 650 illuminance

1. **9363** Cover Assy. “Dual Flush”
2. **40268849** Locking ring
3. **40261360** Isolated Solenoid
4. **92676** Inside Cover Assy.
5. **9361-DF** Sensor module Closet
6. **92649** Cover rest plate
7. **92677** 7/64” Hex Wrench
8. **40265001** Drop-in repair kit for closet & dual flush flushvalves
9. **9359** Metal inner cover repair kit includes items: 2, 3, 4 & 6





Sloan OPTIMA EHD-501-W Electronic Sensor Activated Hand Dryer for Surface Mounting - White



Part No. **92975**



Specifications

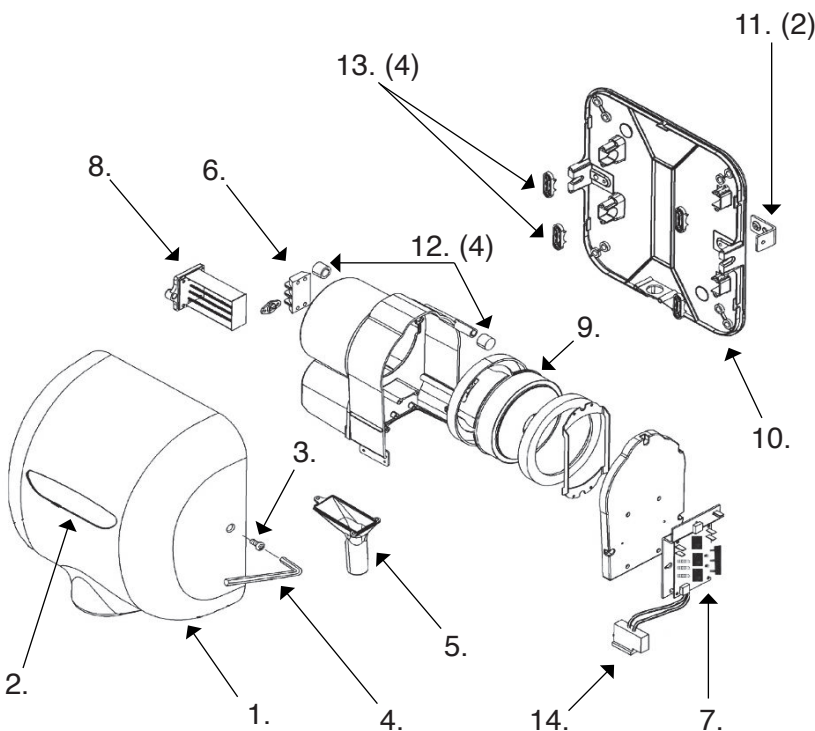
- Series commutated, through-flow discharge, vacuum type motor/blower combination
- Infrared optical sensor with thirty-five (35) second lockout feature.
- Air velocity of 16,000 LFM (linear feet per minute) at an outlet temperature of 135 F/57 C at a 72 F/22 C ambient room temperature
- Decibel rating of 78-80 db
- Heating element construction of Nichrome wire and protected by an automatic resetting thermostat.
- One piece heavy-duty rib reinforced die cast zinc alloy housing
- Chip-proof electrostatically-applied epoxy finish
- Tamper-proof cover fasteners are included
- 11-3/4" Wide x 12-3/4" Tall x 6-3/4" Deep

To order parts please include:

Serial Number
Model Number
& Voltage

Parts

1. Cover (includes name plate)
2. Nameplate
3. Tamper-proof fastener
4. Tamper-proof wrench
5. Air Outlet (includes gasket & fasteners)
6. Terminal Block (includes fasteners)
7. Control Assy. & Sensor
8. Heating Element Assy.
9. Motor Assy. (includes gaskets & wire harness)
10. Wall Plate Assy. (includes cover mounting brackets)
11. Cover Mounting Brackets
12. Housing Grommet
13. Housing Retainer
14. Optic Assy. (Sensor)



Toll Free: 800-327-3022



Fax Free: 800-327-5689

ZURN Z6913-XL Sensor Activated Battery Powered AquaSense Faucet

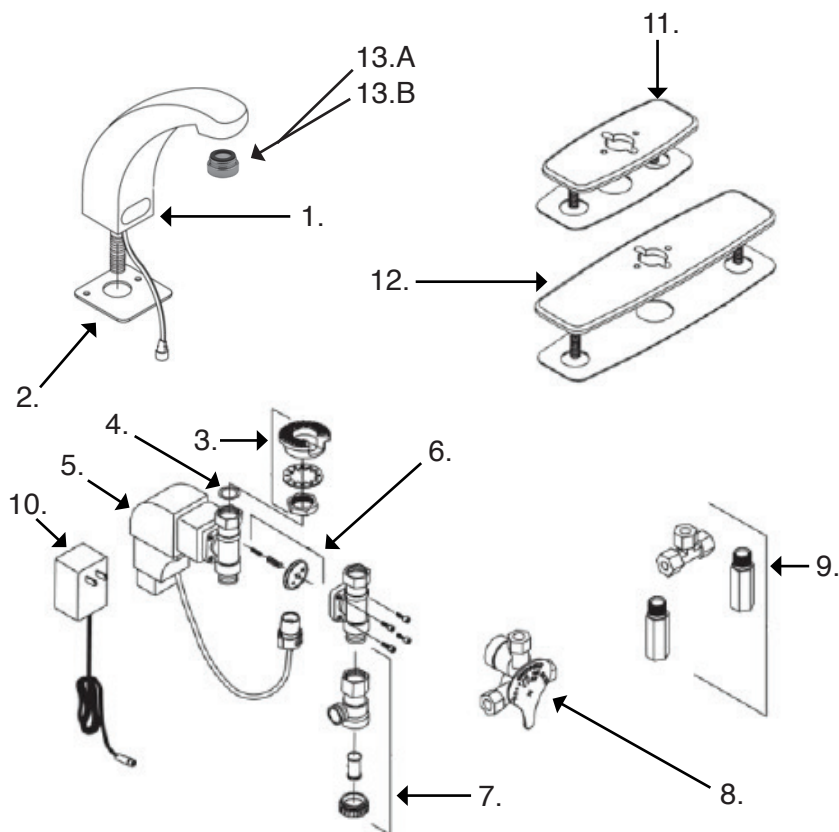
Part No. **92795**



- **ADA compliant**, battery powered, chrome plated sensor faucet for retrofit and new construction.
- **Flow Rate**
1.5 gpm Vandal Resistant Aerator
- **Occupant Detection**
Infrared convergence-type proximity sensor thirty second time out feature.
- **Spout module**
Chrome plated cast brass
- **Also includes**
In-line filter
4 "AA" batteries (30100044)
Inlet for a 1/2" (13) ball riser
Single supply hose



Parts



- | | | |
|------|-----------------|--|
| 1. | 92797 | Spout Assy. with sensor |
| 2. | 92798 | Z6913 Base plate gasket |
| 3. | 92783 | Mounting Kit |
| 4. | 92784 | Shank connecting gasket |
| 5. | 92785 | Electronic box with solenoid |
| 6. | 92786 | Solenoid rebuild kit (Diaphragm, plunger & spring) |
| 7. | 92787 | Filter kit |
| 8. | 32990370 | Mixing valve with filter |
| 9. | 92789 | Mixing tee with filters & backchecks |
| 10. | 92790 | Optional plug-in power converter |
| 11. | 92791 | 4" Cast cover plate with gasket |
| 12. | 92792 | 8" Cast cover plate with gasket |
| 13.A | 40110166 | Male Vandal proof Aerator |
| 13.B | 40110435 | Male 1.5 Aerator |



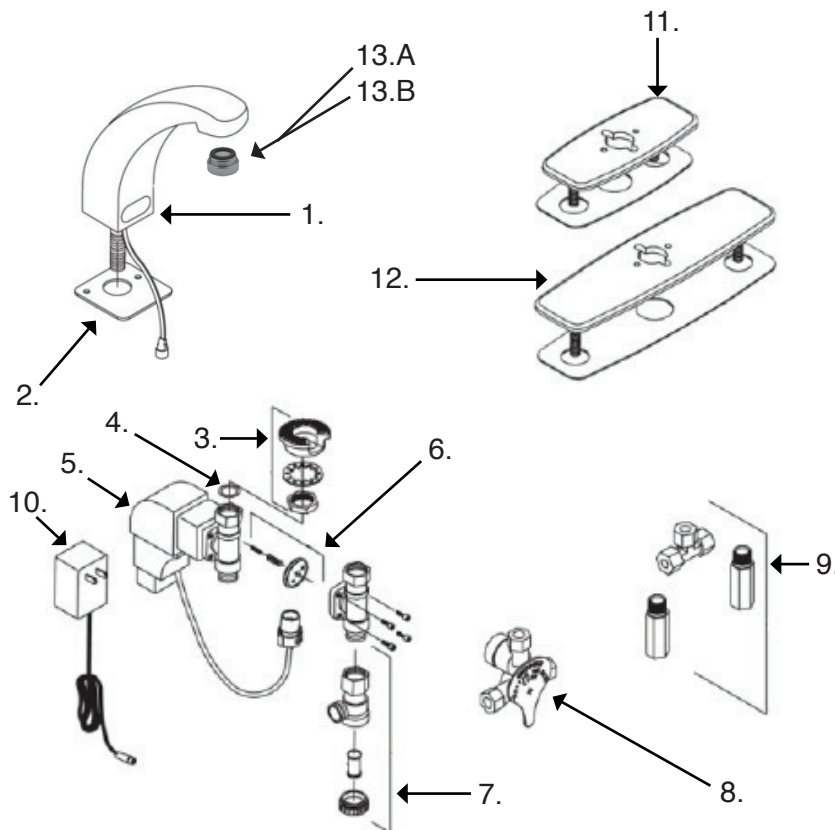
ZURN Z6913-XL Sensor Activated Battery Powered AquaSense Faucet

Part No. **92795**

- **ADA compliant**, battery powered, chrome plated sensor faucet for retrofit and new construction.
- **Flow Rate**
1.5 gpm Vandal Resistant Aerator
- **Occupant Detection**
Infrared convergence-type proximity sensor thirty second time out feature.
- **Spout module**
Chrome plated cast brass
- **Also includes**
In-line filter
4 "AA" batteries (30100044)
Inlet for a 1/2" (13) ball riser
Single supply hose



Parts



- | | | |
|------|-----------------|--|
| 1. | 92797 | Spout Assy. with sensor |
| 2. | 92798 | Z6913 Base plate gasket |
| 3. | 92783 | Mounting Kit |
| 4. | 92784 | Shank connecting gasket |
| 5. | 92785 | Electronic box with solenoid |
| 6. | 92786 | Solenoid rebuild kit (Diaphragm, plunger & spring) |
| 7. | 92787 | Filter kit |
| 8. | 32990370 | Mixing valve with filter |
| 9. | 92789 | Mixing tee with filters & backchecks |
| 10. | 92790 | Optional plug-in power converter |
| 11. | 92791 | 4" Cast cover plate with gasket |
| 12. | 92792 | 8" Cast cover plate with gasket |
| 13.A | 40110166 | Male Vandal proof Aerator |
| 13.B | 40110435 | Male 1.5 Aerator |

Toll Free: 800-327-3022



Fax Free: 800-327-5689

ZURN Z6917 Sensor Activated Battery Powered AquSense Faucet

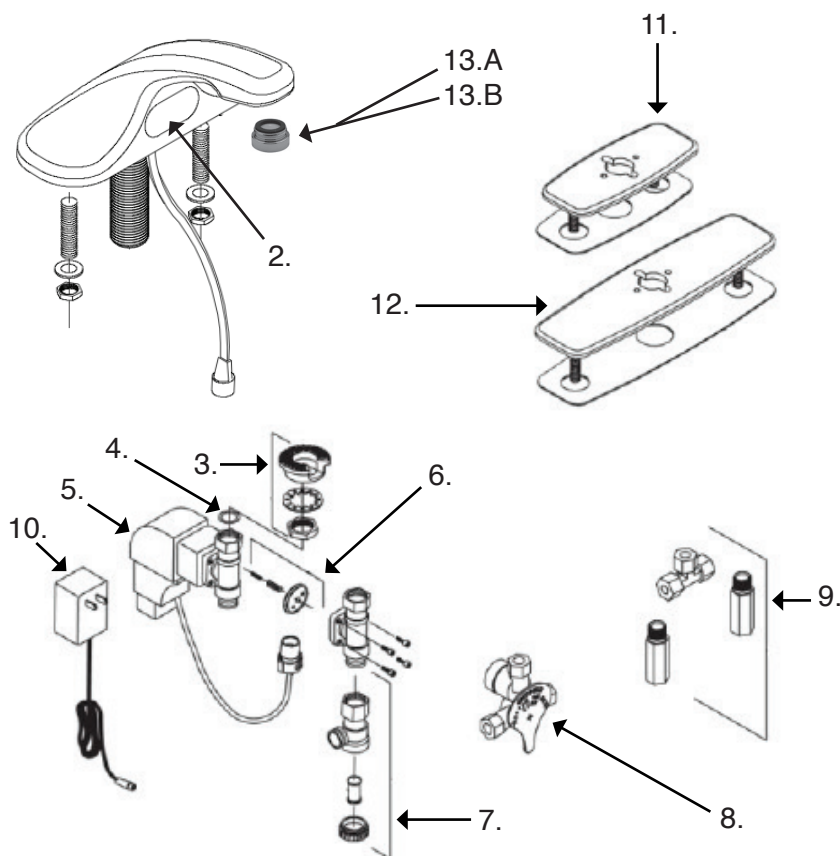
Part No. **92845**



- **ADA compliant**, battery powered, chrome plated sensor faucet for retrofit and new construction.
- **Flow Rate**
1.5 gpm Vandal Resistant Aerator
- **Occupant Detection**
Infrared convergence-type proximity sensor thirty Second Time out feature.
- **Spout module**
Chrome plated Cast Brass
- **Also includes**
In-line filter
4 "AA" batteries (30100044)
Inlet for a 1/2" (13) ball riser
Single supply hose



Parts



- 2. **92846** Spout Assy. with sensor
- 3. **92783** Mounting Kit
- 4. **92784** Shank connecting gasket
- 5. **92785** Electronic box with solenoid
- 6. **92786** Solenoid rebuild kit (Diaphragm, plunger & spring)
- 7. **92787** Filter kit
- 8. **32990370** Mixing valve with filter
- 9. **92789** Mixing tee with filters & backchecks
- 10. **92790** Optional plug-in power converter
- 11. **92791** 4" Cast cover plate with gasket
- 12. **92792** 8" Cast cover plate with gasket
- 13.A **1865VP** Male 2.2 V/P Aerator
- 13.B **40110435** Male 1.5 Aerator



ZURN Z6920-XL Sensor Activated Deck Mount Lavatory Gooseneck Battery Powered Faucet

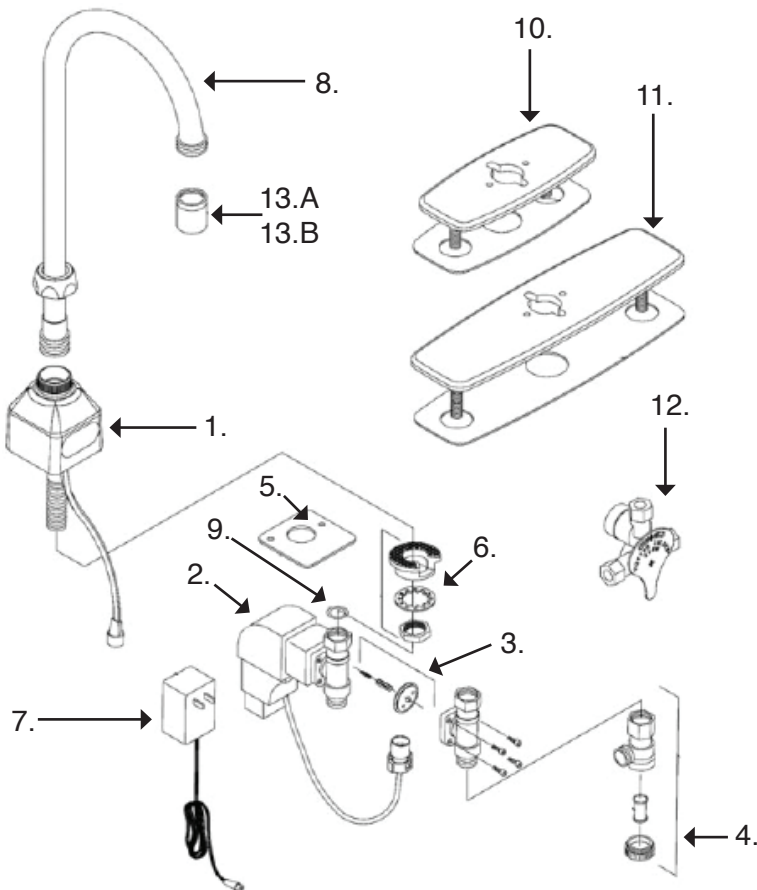
- **ADA compliant**, Chrome plated sensor lavatory faucet for retrofit and new construction.
- **Flow Rate**
1.5 gpm Vandal Resistant Aerator
- **Occupant Detection**
Infrared convergence-type proximity sensor thirty Second Time out feature.
- **Spout module**
Chrome plated Cast Brass
- **Also includes**
In-line filter
Inlet for a 1/2" (13) ball riser
Single supply hose
4 "AA" batteries (30100044)



Part No. **92850**



Parts



- | | | |
|------|-----------------|--|
| 1. | 92851 | Spout Assy. with sensor |
| 2. | 92852 | Electronic box with solenoid |
| 3. | 92786 | Solenoid rebuild kit (Diaphragm, plunger & spring) |
| 4. | 92787 | Filter kit |
| 5. | 92853 | Base plate gasket |
| 6. | 92854 | Mounting Kit |
| 7. | 92855 | Optional Plug-in Power converter |
| 8. | 92856 | 5-3/8" Gooseneck Spout |
| 9. | 92784 | Shank connecting gasket |
| 10. | 92857 | 4" Cast cover plate with gasket |
| 11. | 92858 | 8" Cast cover plate with gasket |
| 12. | 32990370 | Mixing valve with filter |
| 13.A | 40110025 | Female Vandal proof Aerator |
| 13.B | 40110436 | Female 1.5 Aerator |

Toll Free: 800-327-3022



Fax Free: 800-327-5689

ZURN Z6922 Sensor Activated Back Mount Lavatory Gooseneck Battery Powered Faucet

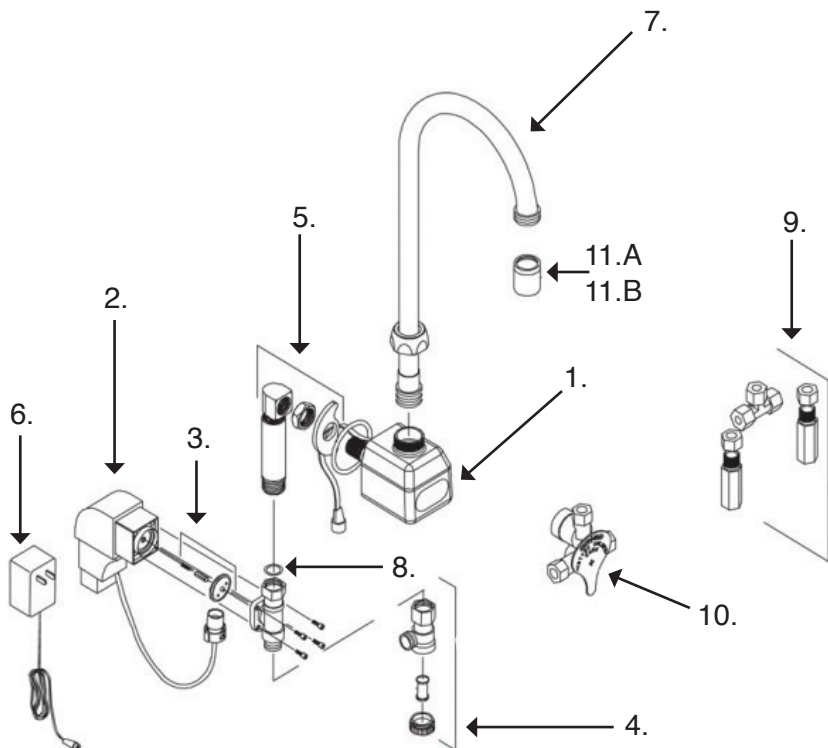
Part No. **92860**



- **ADA compliant**, Chrome plated sensor lavatory faucet for retrofit and new construction.
- **Flow Rate**
1.5 gpm Vandal Resistant Aerator
- **Occupant Detection**
Infrared convergence-type proximity sensor thirty Second Time out feature.
- **Spout module**
Chrome plated Cast Brass
- **Also includes**
In-line filter
Inlet for a 1/2" (13) ball riser
Single supply hose
4 "AA" batteries (30100044)



Parts



- | | | |
|------|-----------------|---|
| 1. | 92861 | Spout Assy. with sensor |
| 2. | 92862 | Electronic box with solenoid |
| 3. | 92786 | Solenoid rebuild kit
(Diaphragm, plunger & spring) |
| 4. | 92787 | Filter kit |
| 5. | 92863 | Mounting Kit |
| 6. | 92790 | Optional Plug-in Power
converter |
| 7. | 92856 | 5-3/8" Gooseneck Spout |
| 8. | 92784 | Shank connecting gasket |
| 9. | 92789 | Mixing Tee with Filters
and Back Checks |
| 10. | 32990370 | Mixing valve with filter |
| 11.A | 40110025 | Female Vandal proof Aerator |
| 11.B | 40110436 | Female 1.5 Aerator |



Sensor Activated Battery Power Faucets

Part No. **92891**



(Standard)
Battery power only

Z6950-XL-B

Part No. **92977**



Z6950-XL-IM-S

Part No. **92978**



Z6950-XL-S

Part No. **92979**



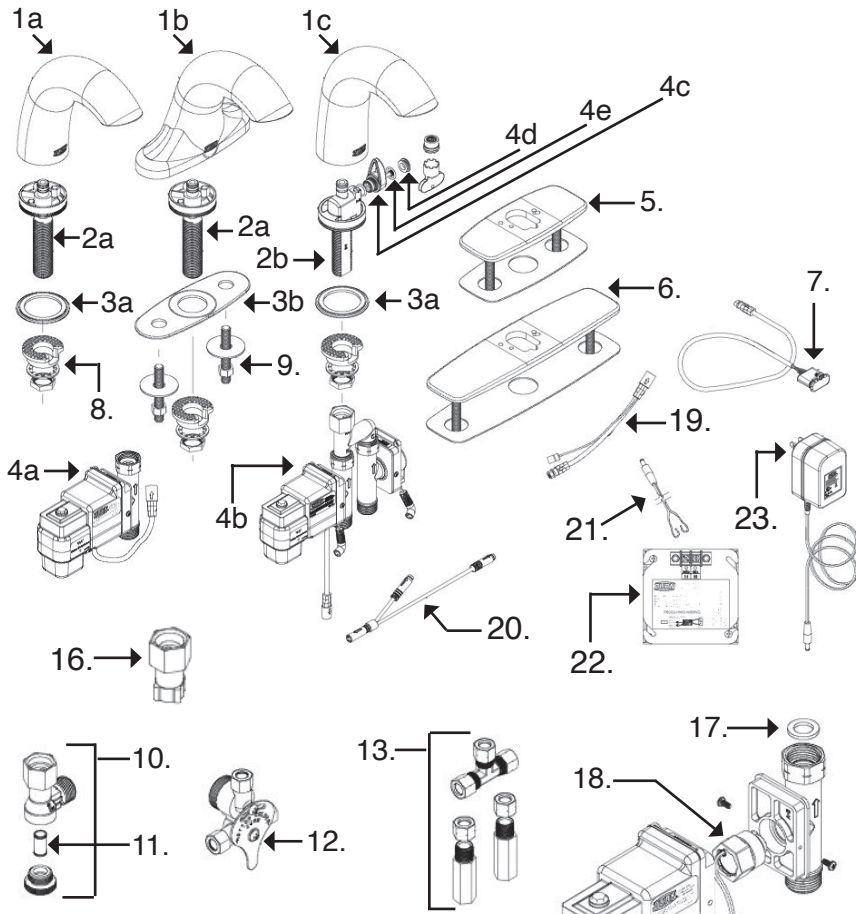
Z6955-XL-S

- **ADA compliant**, battery powered, chrome plated sensor faucet for retrofit and new construction.
- **Occupant Detection**
Infrared convergence-type proximity sensor thirty Second Time out feature.
- **Spout module**
Chrome plated Brass
- **Also includes**
In-line filter and (4) "AA" batteries (30100044)



Parts

- 1a **92980** Spout assy. with sensor
- 1b **92981** Spout assy. with sensor
- 1c **92982** Spout assy. with sensor
- 2a **92983** Spout shank base
- 2b **92984** Spout shank base (92977)
- 3a **92985** Spout base gasket
- 3b **92986** Spout base gasket (92979)
- 4a **92987** Electronics box with solenoid
- 4b **92988** Electronics box (92977)
- 4c **92989** Mixing handle
- 4d **92990** Mixing handle plug / cap
- 4e **92991** Handle O-ring & handle screw
- 5. **92992** 4" Cast cover plate / gasket
- 6. **92993** 8" Cast cover plate / gasket
- 7. **92994** Sensor assy.
- 8. **92995** Mounting kit
- 9. **92996** 4" Mounting kit for (92979)
- 10. **92997** Filter kit
- 11. **92998** Filter screen
- 12. **32990370** Mixing valve with filter
- 13. **92789** Mixing tee w/filter & back checks
- 16. **93031** Composite mixing valve adaptor
- 17. **93032** Shank connection gasket
- 18. **93033** Solenoid rebuild kit
- 19. **93034** Sensor inline connector
- 20. **93035** IM Solenoid Y connector
- 21. **93036** CWB pigtail
- 22. **93037** HW6 power supply
- 23. **93038** Power plug in converter



Toll Free: 800-327-3022



Fax Free: 800-327-5689

ZURN Z6956-XL-CV Sensor Activated Deck Mounted, Motor Gear-Driven Ceramic Operation Faucet

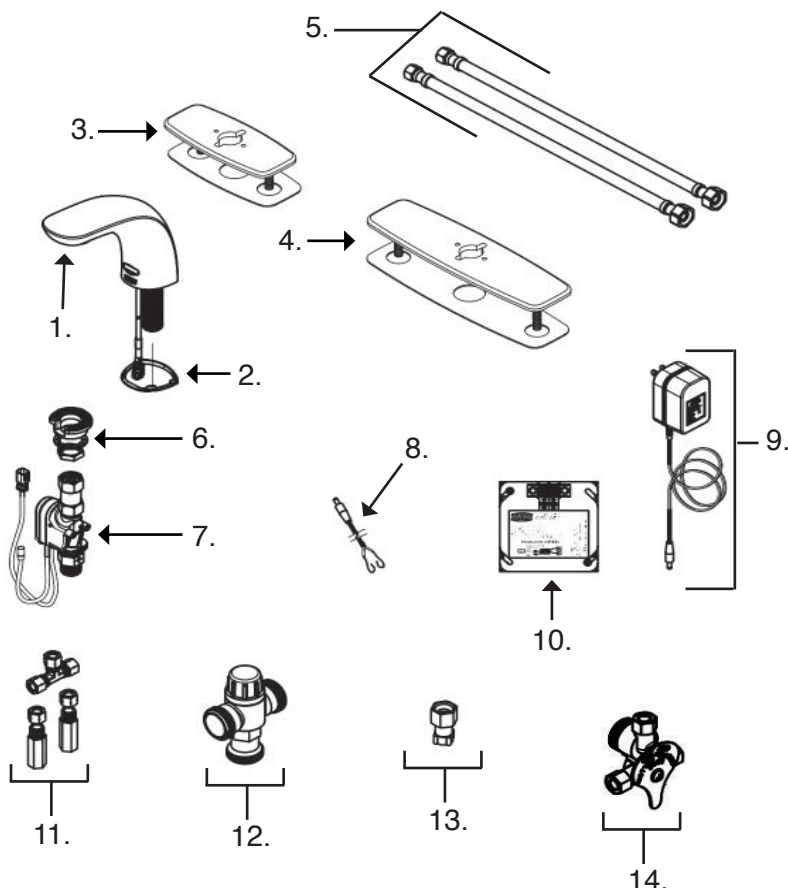
- Infrared convergence-type proximity sensor
- 30 Second time out feature
- Chrome plated cast brass body
- Motor gear-driven ceramic operation
- (7.5 VDC) Plug-in power converter included
- Compatibility with matching soap dispenser (Z6956SD)
- Designed for modern commercial restrooms
- Sleek and simple design
- Easy to install and user-friendly handwashing solution



Part No. **92767**



Parts



- | | | |
|-----|-----------------|--------------------------------------|
| 1. | 1855 | Male 1.5 aerator |
| 2. | 92768 | Spout base gasket |
| 3. | 92791 | 4" Cast cover plate with gasket |
| 4. | 92792 | 8" Cast cover plate with gasket |
| 5. | 40800238 | S/S 3/8"x20" supply line 1ea. |
| 6. | 92995 | Mounting Kit |
| 7. | | Ceramic valve |
| 8. | 93036 | Pigtail |
| 9. | 92790 | Optional plug-in power converter |
| 10. | 93037 | Power supply |
| 11. | 92789 | Mixing tee with filters & backchecks |
| 12. | 93117 | Thermostatic mixing valve |
| 13. | 93031 | Mixing valve adaptor |
| 14. | 32990370 | Mixing valve with filter |



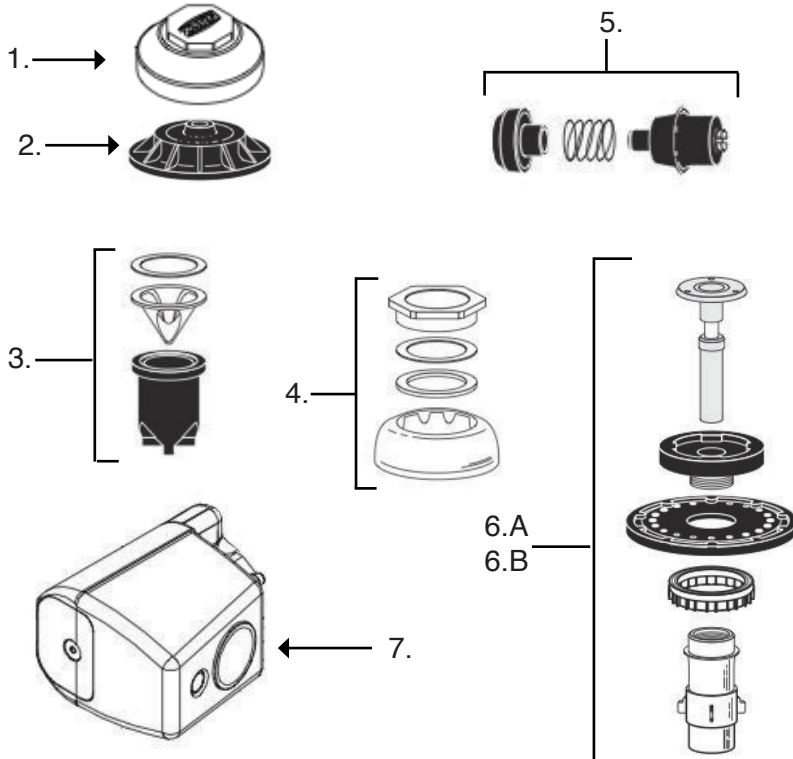
ZURN ZER6000-CPM Exposed Battery Powered Sensor Activated Side Mount Closet Flushometer

AquaSense Exposed Closet Flush Valve - Exposed quiet diaphragm-type, chrome plated flushometer valve with a polished exterior. Complete with chloramine resistant, dual seal diaphragm with a clog resistant by-pass. The valve incorporates a 6VDC motor actuator, a battery powered automatic sensor, high impact resistant polycarbonate housing and chrome plated metal cover with manual override push button and 10 degree angled sensor, high back pressure vacuum breaker, one piece hex coupling nut, adjustable tailpiece, spud coupling and flange for top spud connection. Control stop has internal siphon-guard protection. Internal seals are made of chloramine resistant materials.
 (4) "C" batteries 30100057

Part No. **92865**



AquaVantage



Parts

1. **92991018** Chrome plated cover
2. **40221170** Inside Cover
3. **40291040** Vacuum Breaker Kit
4. **40266146** 1-1/2" Closet Spud Coupling
5. **40291210** 1" Control Stop Repair kit
- 6.A **92772** 1.6 Closet Diaphragm Inside Low Consumption Repair Kit
- 6.B **92770** 3.5 Closet Diaphragm Repair Kit
7. **40265105** Battery Powered Side Mount Operator for AquaSense exposed flushometer

Toll Free: 800-327-3022



Fax Free: 800-327-5689

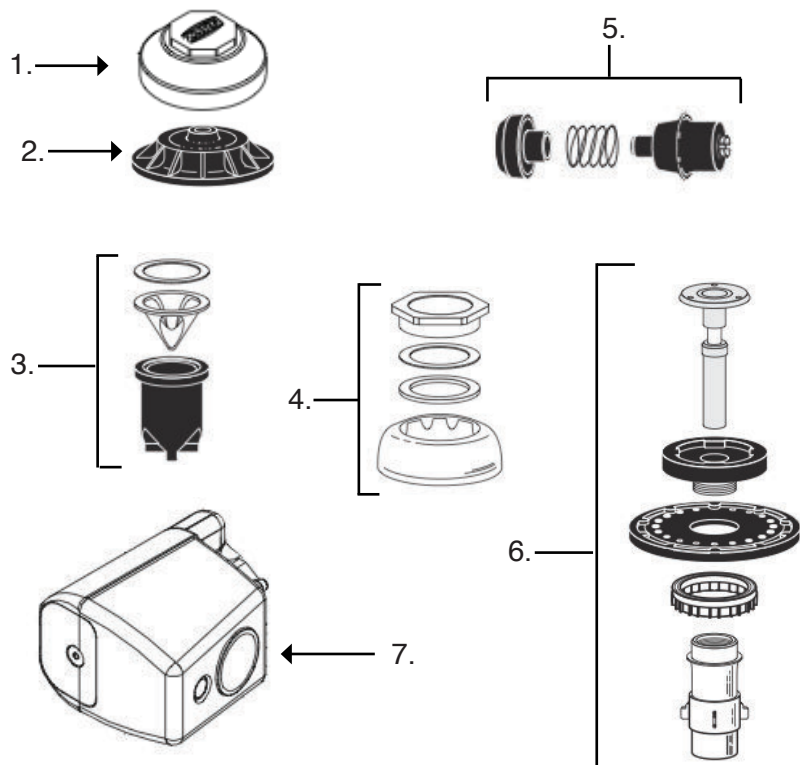
ZURN ZER6003-CPM Exposed Battery Powered Sensor Activated Side Mount Urinal Flushometer

AquaSense Exposed Urinal Flush Valve - Exposed quiet diaphragm-type, chrome plated flushometer valve with a polished exterior. Complete with chloramine resistant, dual seal diaphragm with a clog resistant by-pass. The valve incorporates a 6VDC motor actuator, a battery powered automatic sensor, high impact resistant polycarbonate housing and chrome plated metal cover with manual override push button and 10 degree angled sensor, high back pressure vacuum breaker, one piece hex coupling nut, adjustable tailpiece, spud coupling and flange for top spud connection. Control stop has internal siphon-guard protection. Internal seals are made of chloramine resistant materials.
 (4) "C" batteries 30100057

Part No. **92867**



AquaVantage



Parts

1. **92991018** Chrome plated cover
2. **40221170** Inside Cover
3. **40291040** Vacuum Breaker Kit
4. **40266125** 3/4" Urinal Spud Coupling
5. **40291210** 3/4" Control Stop Repair kit
6. **92771** 1.5 Urinal Diaphragm Repair Kit
7. **40265105** Battery Powered Side Mount Operator for AquaSense exposed flushometer



ZURN ZERK-CP E-Z Flush Battery Powered Sensor Activated Side Mount Retro Flushometer

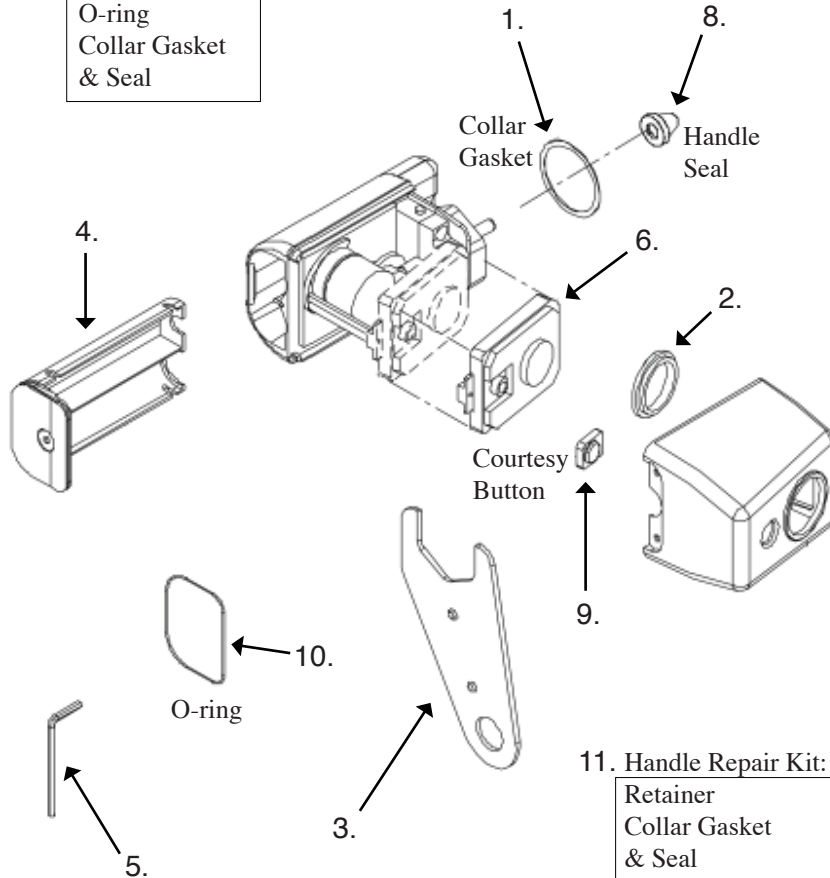
ENGINEERING SPECIFICATION: Zurn ZERK-CP E-Z Flush AquaSense Retro Kit- The AquaSense "A" E-Z Flush unit is designed to provide automatic flushing for urinal and/or closet flush valves. The unit features an adjustable automatic infrared sensor, user-in-view L.E.D., low battery indicator light, switchable 24 hour auto-flush, 10 degree angled sensor, courtesy flush button, and high impact-resistant chrome plated plastic cover with replaceable tempered glass lens. The unit comes complete with 4 "c" size batteries, wrench for installation, and an allen key for the battery compartment. (4) "C" batteries 30100057

Part No. **40265105**



7. Repair Kit:

- Courtesy button
- O-ring
- Collar Gasket & Seal



Parts

- 1. **40261139** Collar Gasket
- 2. **92868** Replacement Lens
- 3. **92869** Handle Nut Wrench
- 4. **92870** Battery Drawer
- 5. **92871** Allen Wrench
- 6. **92872** Sensor Module
- 7. **92873** Repair Kit Includes: Courtesy button cap, O-ring, Collar Gasket & Seal #9, #10, #1, #8
- 8. **40262297** Handle Seal
- 11. **92874** Handle Repair Kit Includes: Retainer, Collar gasket & Seal #1, #8

- 11. Handle Repair Kit:**
- Retainer
 - Collar Gasket & Seal

Toll Free: 800-327-3022



Fax Free: 800-327-5689

ZURN ZTR6200-WS1 Sensor Operated Battery Powered 1.6 gpf or 1.28 gpf Closet Flushvalve

- **Filtered Piston Kit,**
Chloramine resistant
Proprietary DR resistant low lead brass alloy
- **Actuator**
Sensor powered by 4 “AA” batteries, 3 year battery life on 48,000 activations per year (30100044)
- **Control Stop**
Internal siphon-guard protection, vandal resistant stop cap, sweat solder kit, cast wall flange with screw.
- **Vacuum Breaker**
High back pressure, one piece hex coupling nut

Part No. **92875**

Part No. **92885**

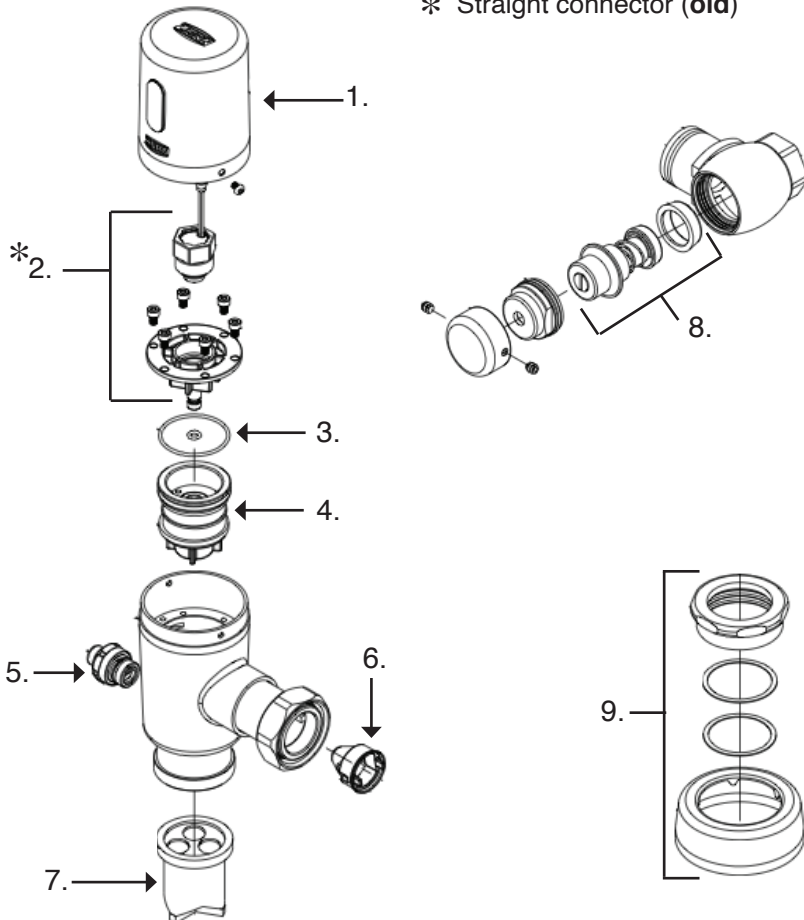
1.6 gpf.

1.28 gpf.



- * Elbow connector (**current**)
- * Straight connector (**old**)

Parts

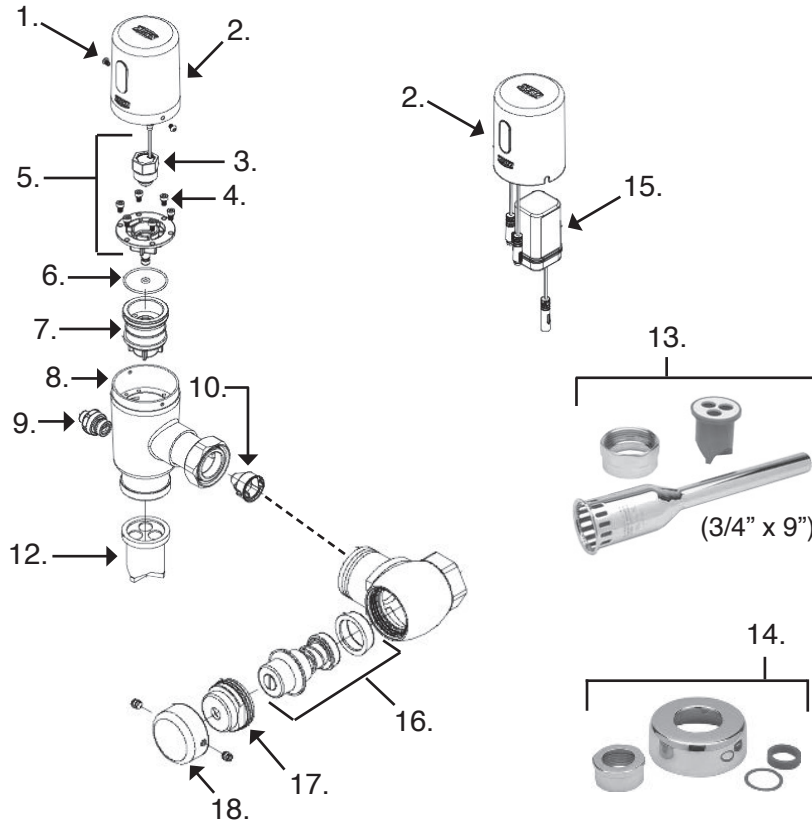


- | | | |
|----|-----------------|--|
| 1. | 92876 | Valve Cap / Sensor Assy.
1.6 Closet |
| 1. | 92839 | Valve Cap / Sensor Assy.
1.28 Closet |
| 2. | 92877 | Solenoid Kit |
| 3. | 92878 | Flange O-ring |
| 4. | 92879 | Piston Kit |
| 5. | 92880 | Manual Override Button |
| 6. | 92881 | Filter |
| 7. | 40291040 | Vacuum Breaker |
| 8. | 40291210 | Control Stop Repair Kit
for 1" & 3/4" |
| 9. | 40266146 | Flush Connection and
Spud Couplings |



ZURN Sensor Operated Urinal Flush Valve ZTR6203-WS1

Part No. **92886**



Parts

- 1. **93311** Cover screw
- 2. **93302** Valve cap/sensor assy. (1.1 gpf)
- 2. **92839** Valve cap/sensor assy. (1.28 gpf)
- 2. **92876** Valve cap/sensor assy. (1.6 gpf)
- 2. **93303** Valve cap/sensor assy. (1.0 gpf)
- 2. **93304** Valve cap/sensor assy. (1.5 gpf)
- 2. **93305** Valve cap/sensor assy. (1.25 gpf)
- 2. **93306** Valve cap/sensor assy. (1.125 gpf)
- 3. **92877** Solenoid
- 4. **93309** Piston cover screws
- 5. **93307** Solenoid kit
- 6. **92878** Flange O-rings
- 7. **92879** Piston kit (1.1/1.28/1.6 gpf)
- 7. **93307** Piston kit (0.5/1.0 gpf)

Parts

- 7. **93308** Piston kit (0.125/0.25 gpf)
- 8. **93301** Valve housing
- 9. **92880** Manual override button assy.
- 10. **92876** Filter (1.28/1.6 gpf)
- 10. **93303** Filter (1.0/0.5 gpf)
- 12. **40291040** Vacuum breaker kit
- 13. **40263005** Tailpiece with vacuum breaker
- 14. **40266125** Urinal coupling 3/4" kit
- 15. **93312** Battery housing
- 16. **40291210** Stop repair kit 1"
- 17. **40291018** Stop cap bonnet
- 18. **40291019** Vandal-resistant control stop cover

(4) "AA" batteries 30100044

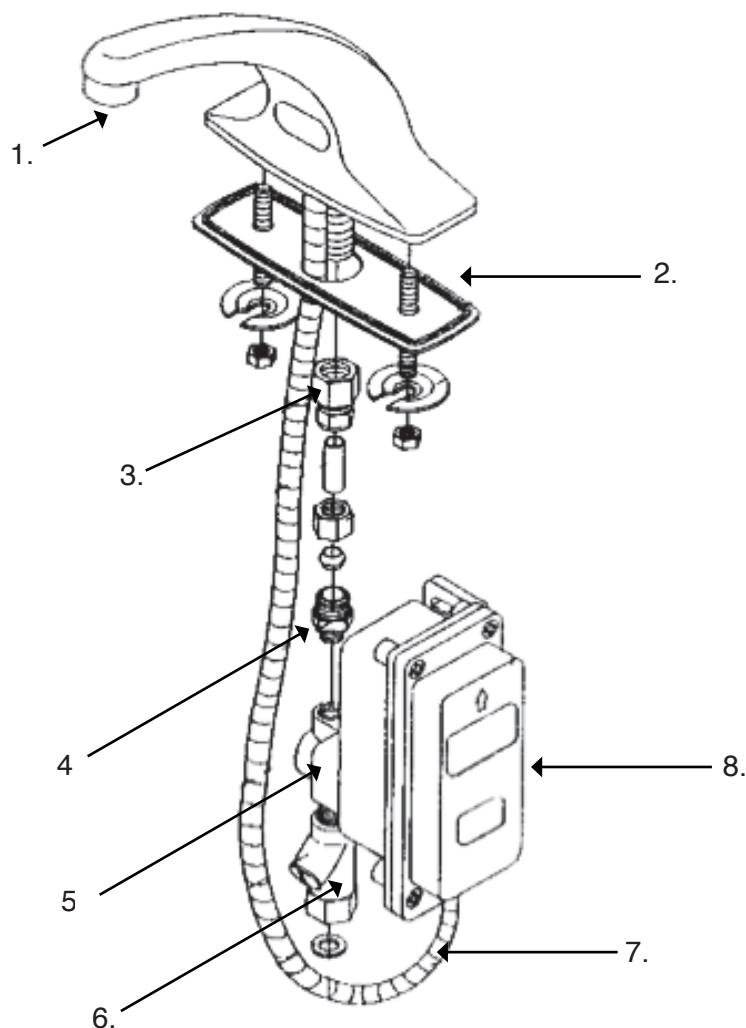
Toll Free: 800-327-3022



Fax Free: 800-327-5689

Hydrotek HB-1000C Non-Mixing Battery Powered 4-inch Center Set Piston Operated Sensor Faucet

- ADA Compliant. Meets all barrier free codes.
- All solid brass construction
- Slow closing, piston-operated solenoid valve provides reliable and smooth operation without water hammer.
- Includes in-line filter with clean-out trap.
- Wall mountable, waterproof control box with armored, vandal resistant control and power cables
- Promotes cleanliness & hygiene
(4) "AA" batteries (30100044)

Part No. **93224****Hydrotek**

Parts

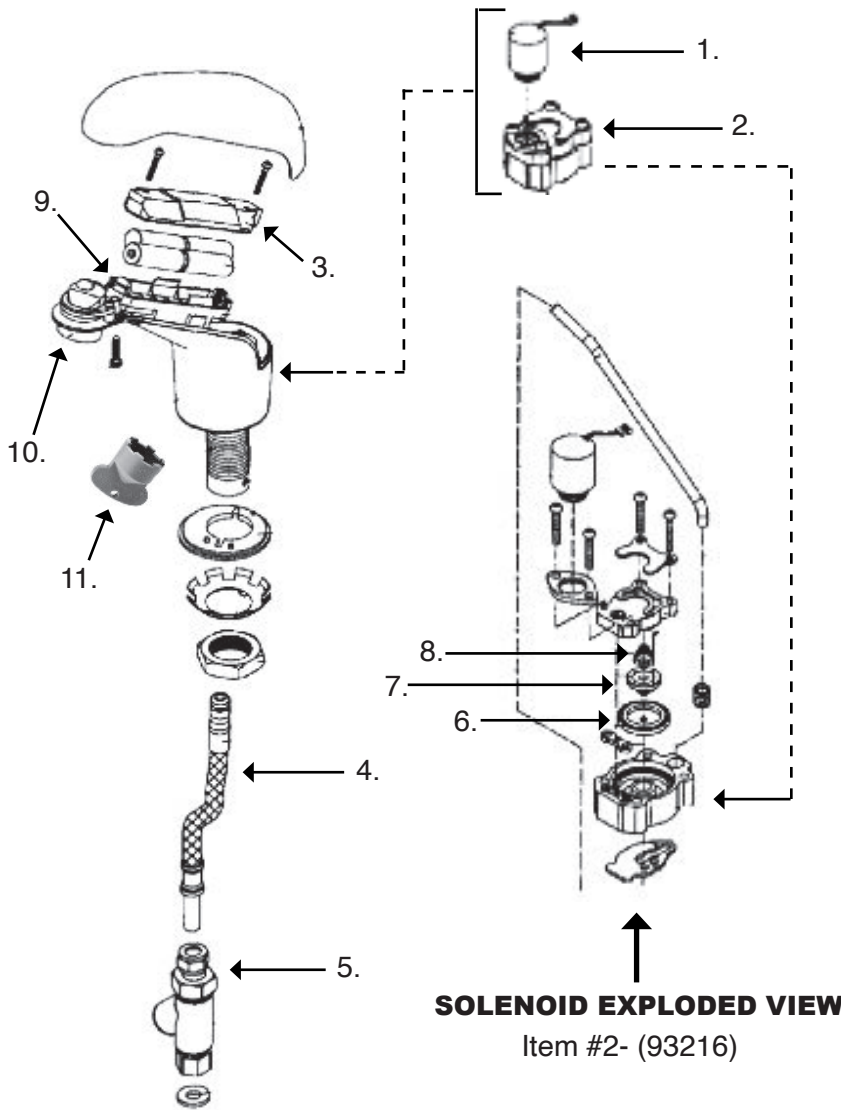
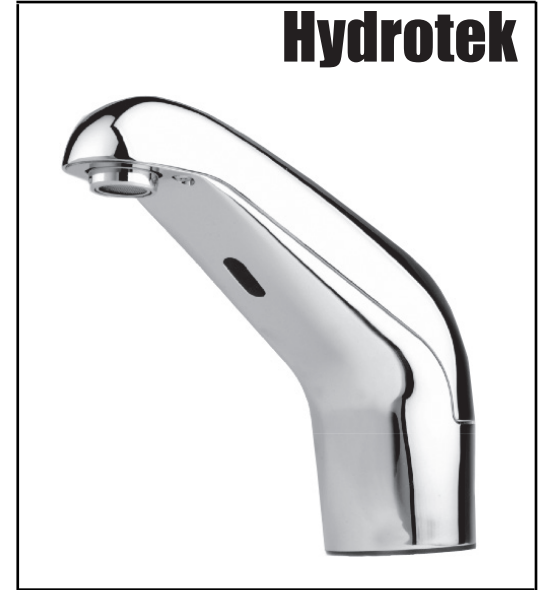
- | | | |
|----|-----------------|---------------------------|
| 1. | 40110144 | Male Aerator 2.2 GPM |
| 2. | 93225 | Faucet Body Gasket |
| 3. | 93226 | Compression Adapt. |
| 4. | 93227 | Compression fitting |
| 5. | 93228 | Solenoid Valve |
| 6. | 93229 | In-line filter |
| 7. | 93230 | Sensor eye cable |
| 8. | 93231 | Control Box |
| 9. | 93232 | Solenoid kit for Item # 5 |



Hydrotek HB-5000E Non-Mixing Battery Powered Deck Mounted Single Hole Automatic Faucet

- ADA Compliant. Meets all barrier free codes.
- Vandal resistant faucet body with chrome plated, solid metal construction.
- Available in AC powered and Battery powered versions.
- AC power input cable is armored and vandal resistant (AC Powered version)
- Low battery indicator light.
- Built-in, replaceable filter (4) "AA" batteries (30100044)

Part No. **93214**



Parts

- | | |
|---------------------|---------------------------------|
| 1. 93215 | Solenoid Coil |
| 2. 93216 | Solenoid |
| 3. 93217 | Control Module |
| 4. 93218 | Supply Tubes |
| 5. 93219 | Check Stops |
| 6. 93220 | Control Disc Rubber |
| 7. 93221 | Control Disc |
| 8. 93222 | Spring |
| 9. use 93217 | Battery Holder |
| 10. 40110144 | Male Aerator 2.2GPM before 2016 |
| 10. 1999-H | Hydrotek 0.5 gpf. Aerator |
| 11. 1998-H | Hydrotek Cache Aerator Key |

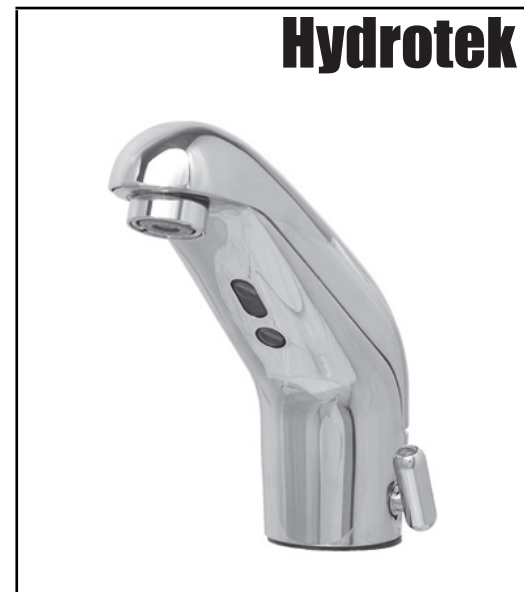
Toll Free: 800-327-3022



Fax Free: 800-327-5689

Hydrotek 5000EM AC or Battery Powered Sensor Operated Faucet

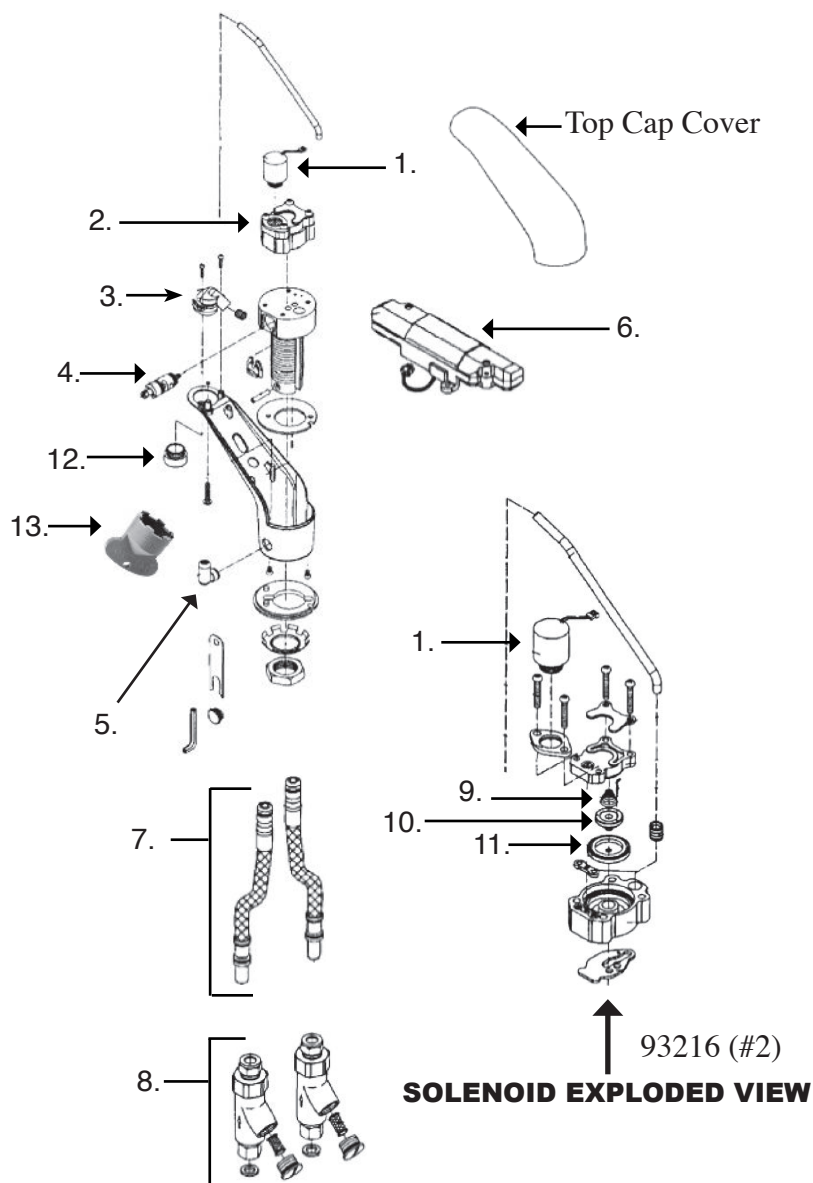
Part No. **93240**



Parts

- 1. **93215** Solenoid Coil
- 2. **93216** Solenoid
- 3. **93246** Aerator connector
- 4. **93248** Mixing controller
- 5. **93247** Temp. adjusting knob
- 6. **93217** Control Module
- 7. **93218** Supply Tubes
- 8. **93219** Check Stops
- 9. **93222** Spring
- 10. **93221** Control Disc
- 11. **93220** Rubber control disc
- 12. **40110144** Male Aerator 2.2GPM before 2016
- 12. **1999-H** Hydrotek 0.5 gpf. Aerator
- 13. **1998-H** Hydrotek Cache Aerator Key

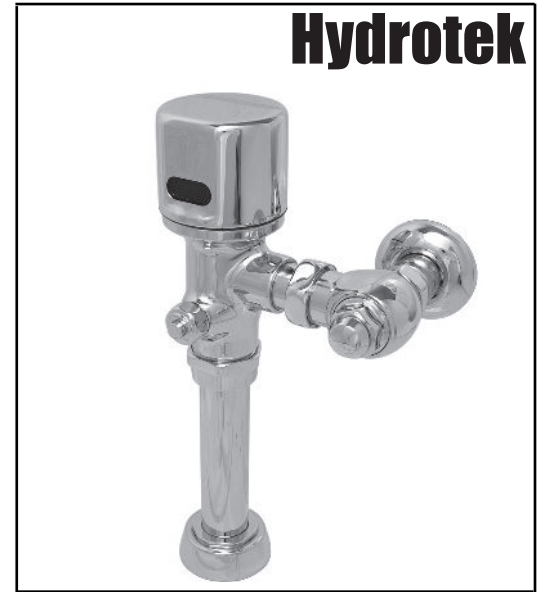
- ADA Compliant. Meets all barrier free codes
- Vandal resistant faucet body with chrome plated, solid metal construction.
- Built-in checks & manual on/off
- Built-in replaceable screen filters (4) "AA" batteries (30100044)





Hydrotek HB-8000C-A Exposed AC/DC Powered Sensor Activated Piston Closet Flushometer

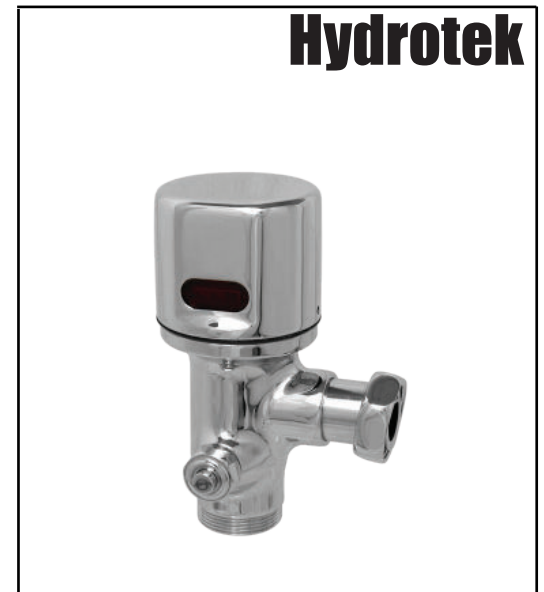
- **ACCU-SENSE** adjustable sensor eyes.
- Standard brass/chrome plated all metal construction.
- AC/DC powered is field switchable.
- Operating pressures: 10-125 PSI
- Standard self-cleaning filtering system.
- 24 hour sentinel flush
- Uses inexpensive AA batteries / requires (4) - (30100044)
- Battery service life: 400,000 on/off cycles
- No outside power source required
- Superior VSI Silicone Elaster seals, unaffected by chlorine, chloramines, and ammonia.
- Low battery indicator light
- Self-diagnostic electronics.
- True mechanical override
- Peset/adjustable flow rate and sensor distance.

Part No. **93200****Hydrotek**

Hydrotek HB8RFKC Exposed Battery Powered Sensor Activated Retrofit Closet Flushometer

The Hydrotek HB8RFKC is a battery operated, retrofit sensor flush valve that is the most dependable and versatile electronic flushing systems in the industry today. Installation is quick and easy as it utilizes your existing Sloan, Delany, Zurn, or Toto stop valve, vacuum breaker and flush tube.

- **ADA Compliant.** Meets all barrier free codes
- Conserves water and energy
- Easily installed in new or retrofit applications
- Competitively priced for today's commercial market
- Promotes cleanlines & hygiene
- Proven Hydrotek craftsmanship and reliability

Part No. **93201****Hydrotek**

Toll Free: 800-327-3022



Fax Free: 800-327-5689

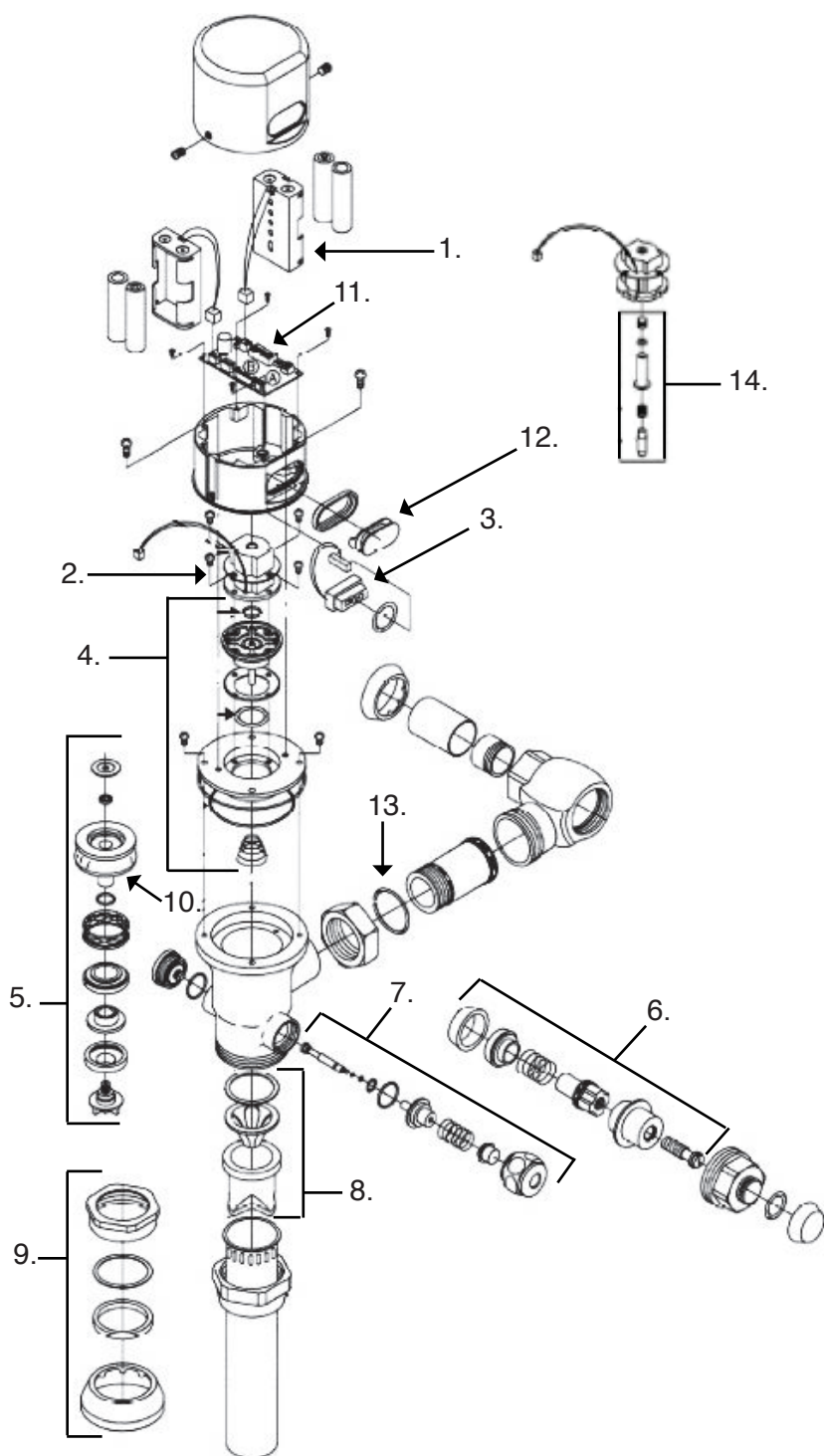
Hydrotek HB-8000C-A Exposed AC/DC Powered Sensor Activated Piston Closet Flushometer

Hydrotek

Parts

1. **93202** Battery Holders
2. **93203** Solenoid Coil Module
3. **93204** Sensor Eye / Cable
4. **93205** Solenoid valve Repair Kit
5. **93206** Control Disc Assembly
6. **9726** Angle Stop Repair Kit
7. **93207** Manual Button Assembly
8. **40201005** Vacuum Breaker Repair Kit
9. **40266146** 1-1/2" Top spud Assembly
10. **93208** Blue Rubber Disc.
11. **93209** 1.6 GPF Control Module
12. **93210** Sensor Cover
13. **40950069** O-ring #31
14. **93205** Part of Kit (Item # 4)

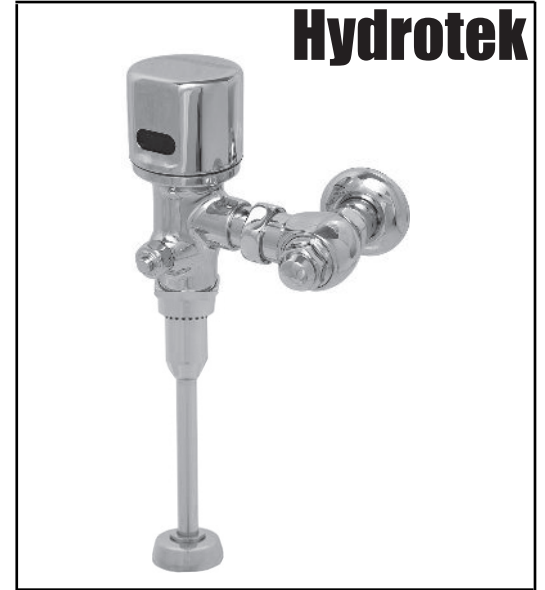
*Individual Parts Available Upon Request!
(Special order)*





Hydrotek HB-8000C-B-1 Exposed AC/DC Powered Sensor Activated Piston 1.0 GPF Urinal Flushometer

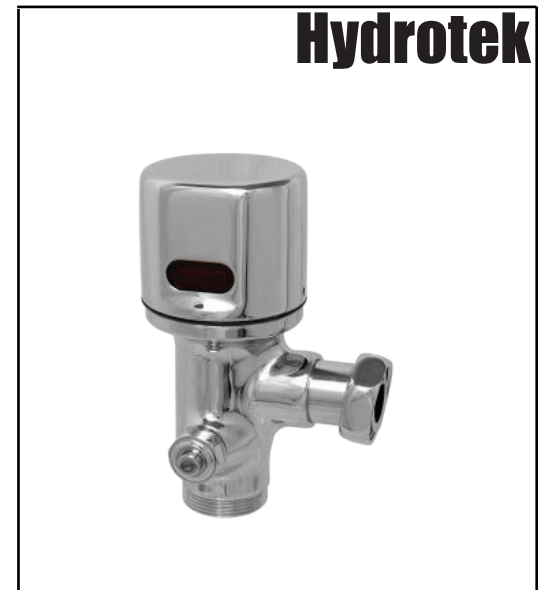
- **ACCU-SENSE** adjustable sensor eyes.
- Standard brass/chrome plated all metal construction.
- AC/DC powered is field switchable.
- Operating pressures: 10-125 PSI
- Standard self-cleaning filtering system.
- 24 hour sentinel flush
- Uses inexpensive AA batteries / requires (4) - (30100044)
- Battery service life: 400,000 on/off cycles
- No outside power source required
- Superior VSI Silicone Elaster seals, unaffected by chlorine, chloramines, and ammonia.
- Low battery indicator light
- Self-diagnostic electronics.
- True mechanical override
- Preset/adjustable flow rate and sensor distance.

Part No. **93211**

Hydrotek HB8RFKC-U Exposed Battery Powered Sensor Activated Retrofit Urinal Flushometer

The Hydrotek HB8RFKC is a battery operated, retrofit sensor flush valve that is the most dependable and versatile electronic flushing systems in the industry today. Installation is quick and easy as it utilizes your existing Sloan, Delany, Zurn, or Toto stop valve, vacuum breaker and flush tube.

- **ADA Compliant.** Meets all barrier free codes
- Conserves water and energy
- Easily installed in new or retrofit applications
- Competitively priced for today's commercial market
- Promotes cleanlines & hygiene
- Proven Hydrotek craftsmanship and reliability

Part No. **93212**

Toll Free: 800-327-3022



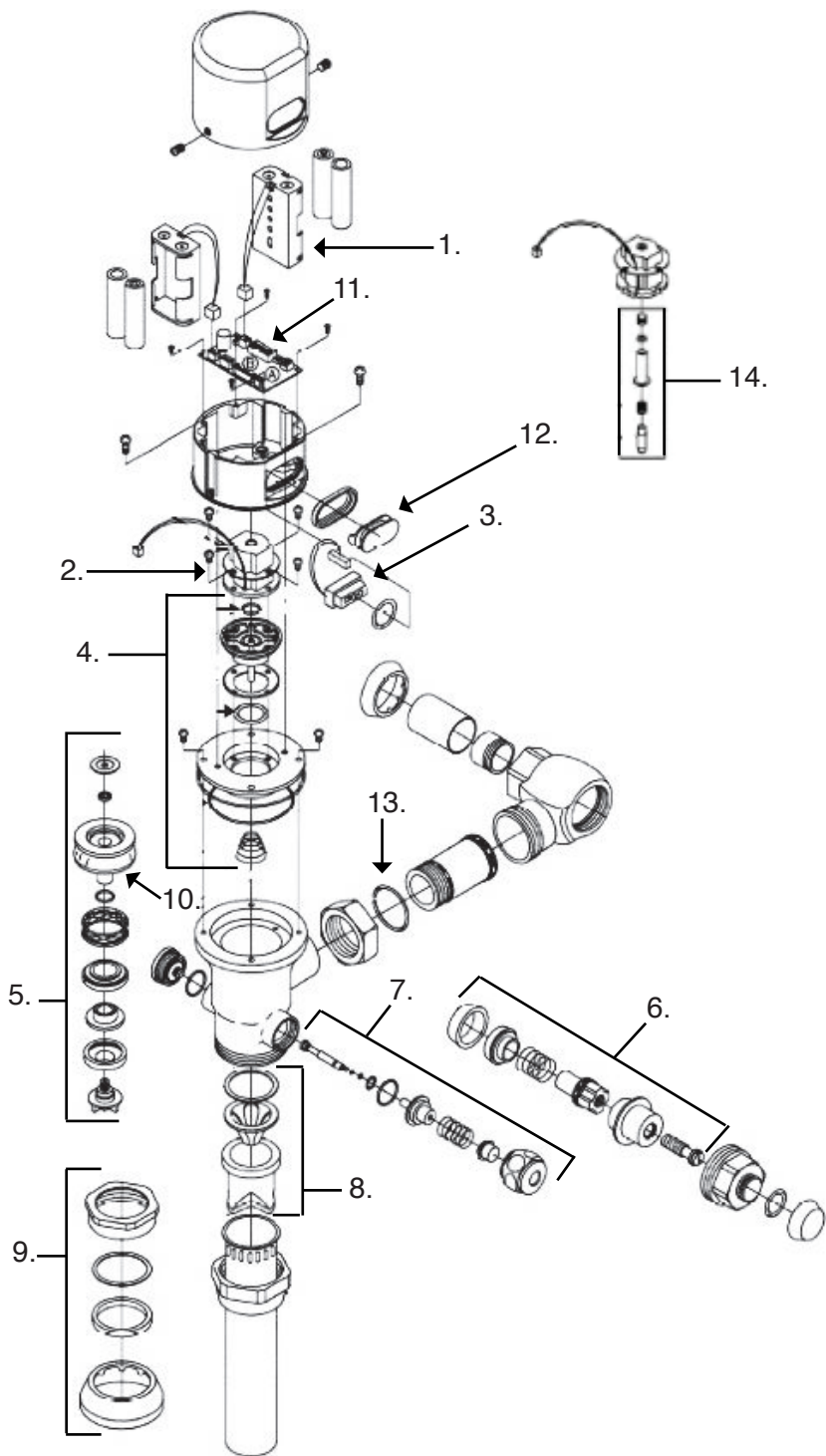
Fax Free: 800-327-5689

Hydrotek HB-8000C-B-1 Exposed AC/DC Powered Sensor Activated Piston 1.0 GPF Urinal Flushometer

Hydrotek

Parts

- 1. **93202** Battery Holders
- 2. **93203** Solenoid Coil Module
- 3. **93204** Sensor Eye / Cable
- 4. **93205** Solenoid valve Repair Kit
- 5. **93206** Control Disc Assembly
- 6. **9726** Angle Stop Repair Kit
- 7. **93207** Manual Button Assembly
- 8. **40201005** Vacuum Breaker Repair Kit
- 9. **40266125** 3/4" Top spud Assembly
- 10. **93208** Blue Rubber Disc.
- 11. **93213** 1.0 GPF Control Module
- 12. **93210** Sensor Cover
- 13. **40950069** O-ring #31
- 14. **93205** Part of Kit (Item # 4)



*Individual Parts Available Upon Request!
(Special order)*

AMERICAN STANDARD SENSOR ACTIVATED FLUSH VALVES



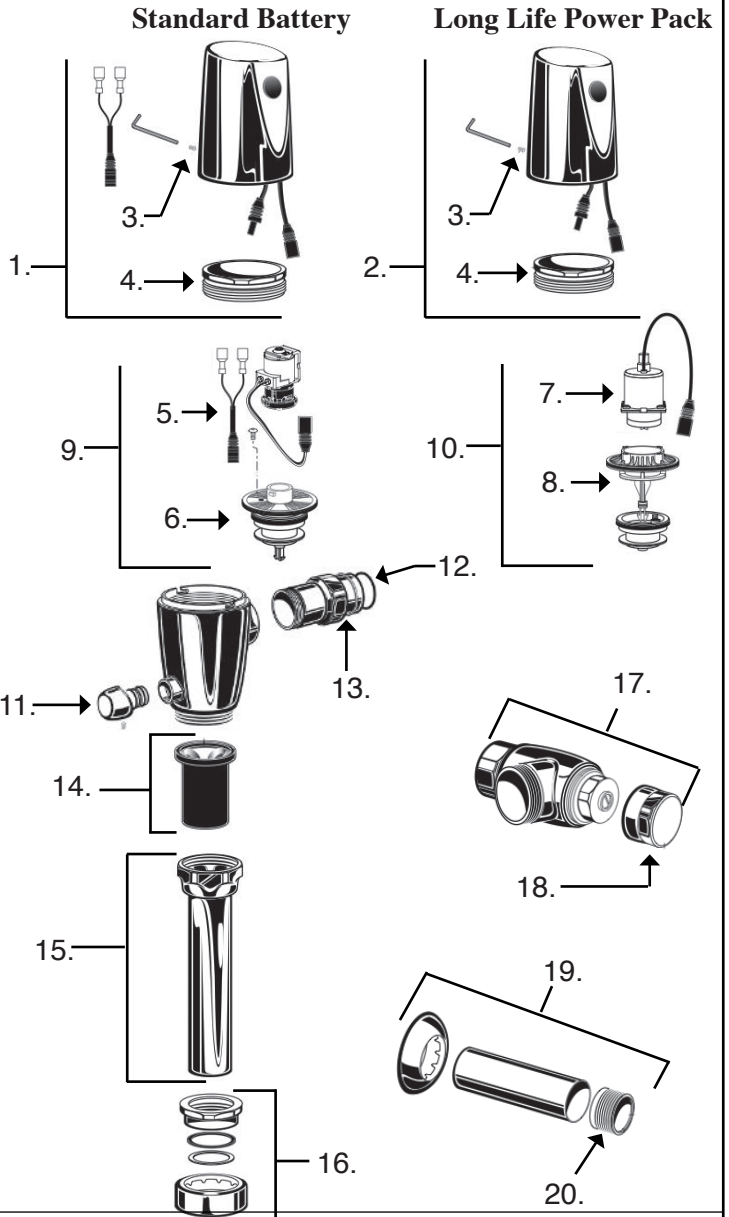
Selectronic Sensor-Operated CLOSET Toilet Flush Valve, 1.6 gpf. Battery Powered



(Chrome)

Cat. No. 9950

- Operating pressure: 25 psi
- Manual override button
- CR-P2 Lithium battery
- Self cleaning piston
- No external volume control
- Can be installed Left or Right



Catalog No.	Parts	Description
1. Cat. No. 9951	Cover assembly	(1.1 gpf)
Cat. No. 9952	Cover assembly	(1.28 gpf)
Cat. No. 9953	Cover assembly	(1.6 gpf)
Cat. No. 9954	Cover assembly	(1.6/1.1 gpf)
Cat. No. 9955	Cover assembly	(1.28/1.1 gpf)
2. Cat. No. 9956	Cover assembly	(1.1 gpf)
Cat. No. 9957	Cover assembly	(1.28 gpf)
Cat. No. 9958	Cover assembly	(1.6 gpf)
Cat. No. 9959	Cover assembly	(1.6/1.1 gpf)
Cat. No. 9960	Cover assembly	(1.28/1.1 gpf)
3. Cat. No. 9961	Set screw	
4. Cat. No. 9962	Bonnet nut	
5. Cat. No. 9963	Solenoid assembly	(Standard)
6. Cat. No. 9964	Piston assembly	(Standard)
7. Cat. No. 9965	Solenoid assembly	(Long life)
8. Cat. No. 9966	Piston assembly	(Long life)
9. Cat. No. 9967	Solenoid & piston assy.	(Standard)
10. Cat. No. 9968	Solenoid & piston assy.	(Long life)
11. Cat. No. 9969	Manual valve	
12. Cat. No. 40950069	O-ring #31	
13. Cat. No. 40268801	Adjustable tailpiece	4-1/4 to 5-1/4"
Cat. No. 40268803	Adjustable tailpiece	5-1/4 to 6-1/4"
Cat. No. 40268950	Adjustable tailpiece	6-1/4 to 7-1/4"
Cat. No. 40268807	Adjustable tailpiece	7-1/4 to 8-1/4"
Cat. No. 9807	Adjustable tailpiece	8-1/4 to 9-1/4"
14. Cat. No. 40263183	Vacuum breaker kit	
15. Cat. No. 40261040	Vacuum breaker tailpiece	9" x 1-1/2"
16. Cat. No. 40266146	Spud coupling kit	1-1/2"
17. Cat. No. 40261101	Closet Stop	(Chrome)
18. Cat. No. 40268855	Closet Stop cap	(Chrome)
19. Cat. No. 40268782	Sweat solder kit	1"
20. Cat. No. 91202	Sweat adapter	1"

Power Source

(Standard)

Battery holder
Cat. No. 9970

Battery 6V CR-P2
Cat. No. 30100061

(Long life)

Long life power pack
Cat. No. 9972

Sensor assembly 1.1gpf.
Cat. No. 9973

Sensor assembly 1.28gpf.
Cat. No. 9974

Sensor assembly 1.6gpf.
Cat. No. 9975

Sensor assy. 1.28/1.1gpf.
Cat. No. 9976

Sensor assy. 1.6/1.1gpf.
Cat. No. 9977

AMERICAN STANDARD SENSOR ACTIVATED FLUSH VALVES



American Standard

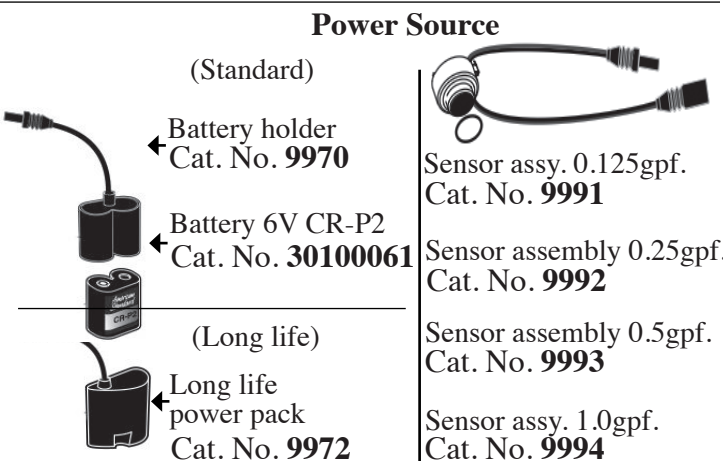
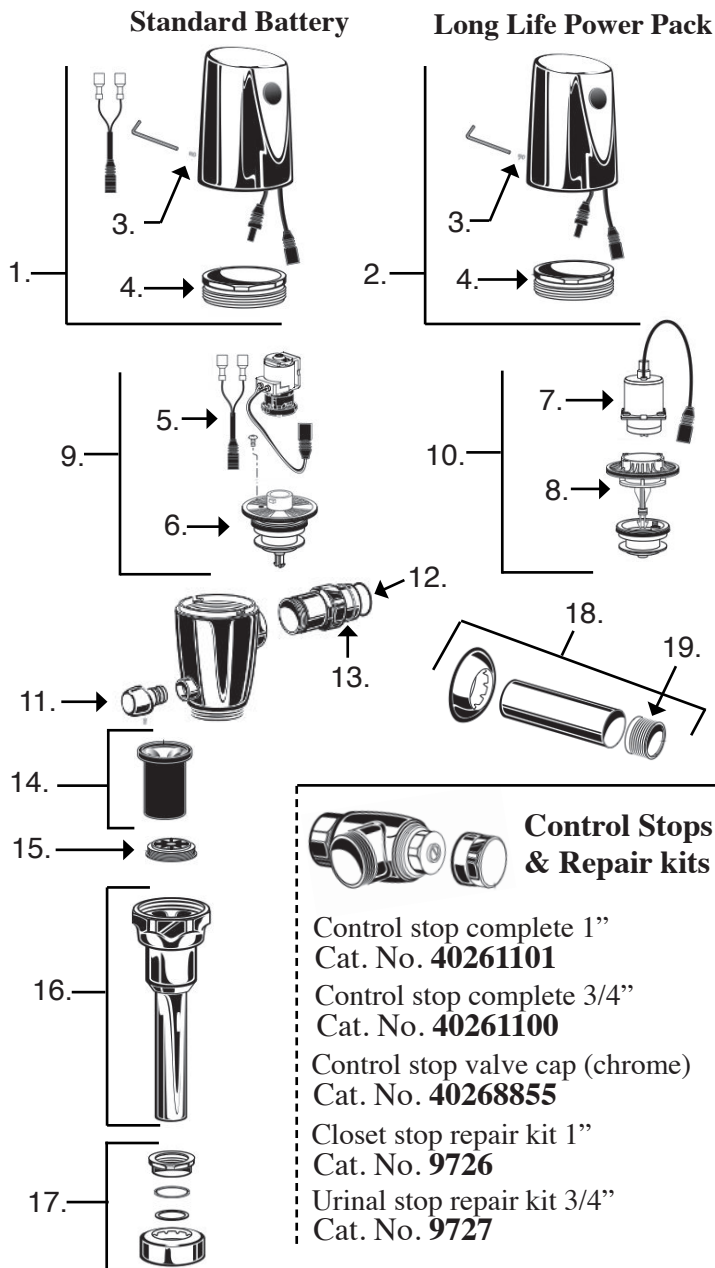
URINAL
(Chrome)

Cat. No. 9978

Selectronic Sensor-Operated Urinal Flush Valve, 1.0 gpf. Battery Powered

- Operating pressure: 20 psi
- Manual override button
- CR-P2 Lithium battery
- Self cleaning piston
- No external volume control
- Can be installed Left or Right

Catalog No.	Parts	Description
1. Cat. No. 9979	Cover assembly (1.125 gpf)	
Cat. No. 9980	Cover assembly (0.25 gpf)	
Cat. No. 9981	Cover assembly (0.5 gpf)	
Cat. No. 9982	Cover assembly (1.0 gpf)	
2. Cat. No. 9983	Cover assembly (0.125 gpf)	
Cat. No. 9984	Cover assembly (0.25 gpf)	
Cat. No. 9985	Cover assembly (0.5 gpf)	
Cat. No. 9986	Cover assembly (1.0 gpf)	
3. Cat. No. 9961	Set screw	
4. Cat. No. 9962	Bonnet nut	
5. Cat. No. 9963	Solenoid assembly (Standard)	
6. Cat. No. 9995	Piston assembly (Standard)	
7. Cat. No. 9965	Solenoid assembly (Long life)	
8. Cat. No. 9988	Piston assembly (Long life)	
9. Cat. No. 9989	Solenoid & piston assy.(Standard)	
10. Cat. No. 9990	Solenoid & piston assy. (Long life)	
11. Cat. No. 9969	Manual valve	
12. Cat. No. 40950069	O-ring #31	
13. Cat. No. 40268801	Adjustable tailpiece 4-1/4 to 5-1/4"	
Cat. No. 40268803	Adjustable tailpiece 5-1/4 to 6-1/4"	
Cat. No. 40268950	Adjustable tailpiece 6-1/4 to 7-1/4"	
Cat. No. 40268807	Adjustable tailpiece 7-1/4 to 8-1/4"	
Cat. No. 9807	Adjustable tailpiece 8-1/4 to 9-1/4"	
14. Cat. No. 40263183	Vacuum breaker kit	
15. Cat. No. 9995	Flow regulator (Before July 2015)	
Cat. No. 9996	Flow regulator (After July 2015)	
16. Cat. No. 40263005	Vacuum breaker assy. 3/4" x 9"	
Cat. No. 40263006	Vacuum breaker assy. 1-1/4" x 9"	
17. Cat. No. 40266125	Spud coupling assy. 3/4"	
Cat. No. 40266140	Spud coupling assy. 1-1/4"	
18. Cat. No. 40268782	Sweat solder kit 1"	
Cat. No. 91203	Sweat solder kit 3/4"	
19. Cat. No. 91202	Sweat adapter 1"	
Cat. No. 91204	Sweat adapter 3/4"	



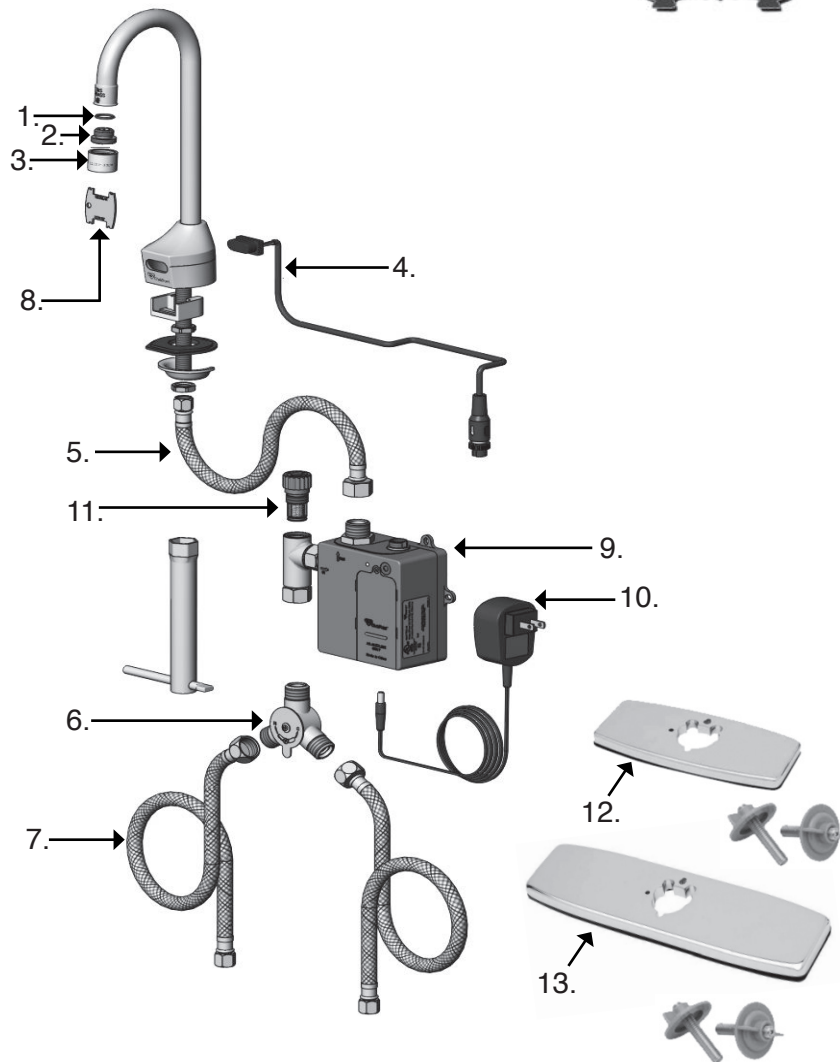


T&S Brass EC-3100 Gooseneck Single Hole, Sensor Activated, Deck Mount Electronic Faucet

- Flow control switches are located inside module housing
- Powered by batteries or included 100-240 V AC adapter
- Overall dimensions: 4-1/8" W x 11" H
- Flexible stainless steel supply lines
- Rigid gooseneck, total height 11"
- Chrome plated brass
- Vandal-resistant 2.2 GPM aerator



Part No. **93010**



Parts

1. **06575-45** Adapter O-ring
2. **1835** 3/8" to aerator adapter
3. **40110019** VR aerator with key
4. **93030** Angled sensor with cable
5. **40800236** Inlet hose 1/2"x 1/4" NPSM-F
6. **93117** Mechanical mixing valve
7. **40800238** Supply hose 9/16-24" Fem. x 1/2" NPSM
8. **12110** Vandal resistant key
9. **93020** CheckPoint module (grey)
10. **93015** A/C transformer
11. **93016** Replacement filter
12. **93034** 4" Deck chrome plate
13. **93038** 8" Deck chrome plate

Toll Free: 800-327-3022



Fax Free: 800-327-5689

T&S Brass EC-3102 Check Point Electronic, Single Hole Deck Mount AC/DC Control Module Faucet

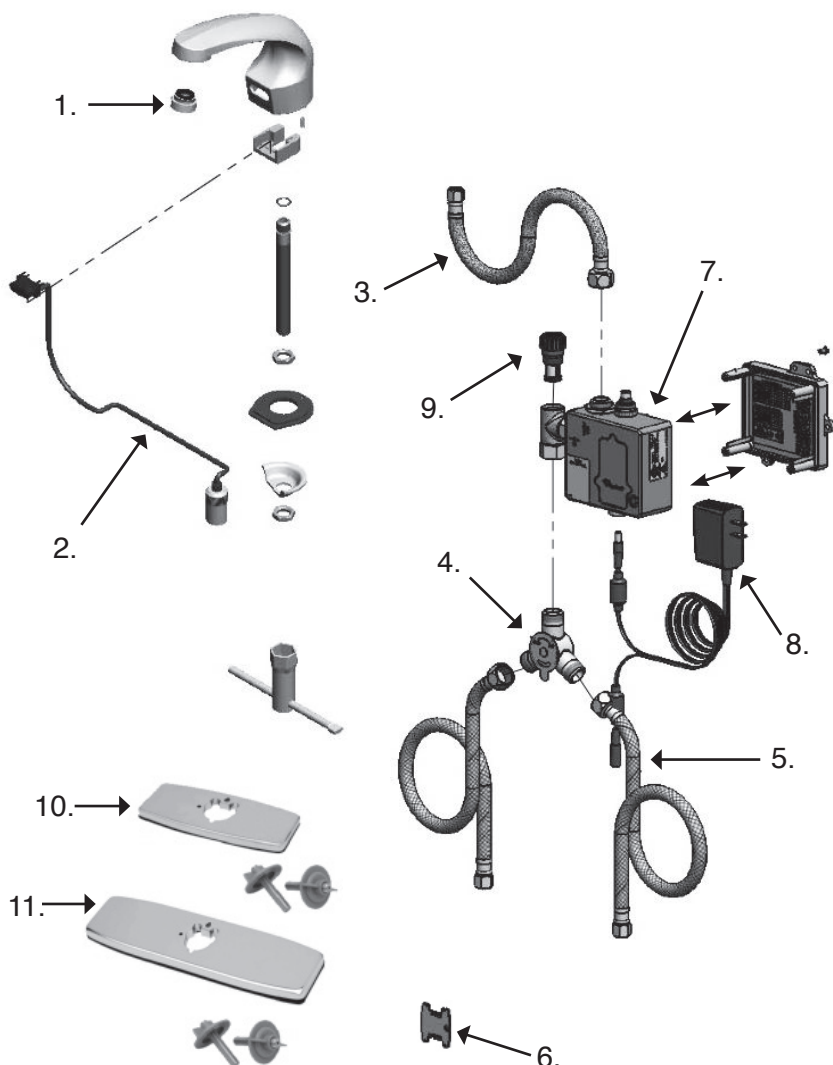
EC-3102 Check Point chrome plated brass Electronic Faucet. Deck Mount Single Hole Spout with Vandal resistant aerator, AC/DC control module with internal flow control setting switches, temperature control mixing valve with integral check valves, 18" Hot & Cold supply stop flexible connector hoses. 2.2 Flow rate. ADA Compliant.

(4) "AA" batteries (30100044)

Part No. **93019**



Parts



- 1. **40110019** Vandal Proof Aerator 2.2gpm
- 2. **93011** Angled Sensor with Cable
- 3. **93012** Inlet hose 1/2" NPSM-F X 1/4" NPSM-F
- 4. **93013** Mechanical Mixing Valve
- 5. **93014** Supply Hose, 9/16-24 Fem. X 1/2" NPSM
- 6. **12110** Vandal Resistant Key
- 7. **93020** CheckPoint Module (Blue)
- 8. **93015** A/C Transformer
- 9. **93016** Replacement Filter
- 10. **93034** 4" Deck plate
- 11. **93038** 8" Deck plate



T&S Brass EC-3103 Check Point Electronic, 4" Deck Mount Faucet with AC/DC Control Module

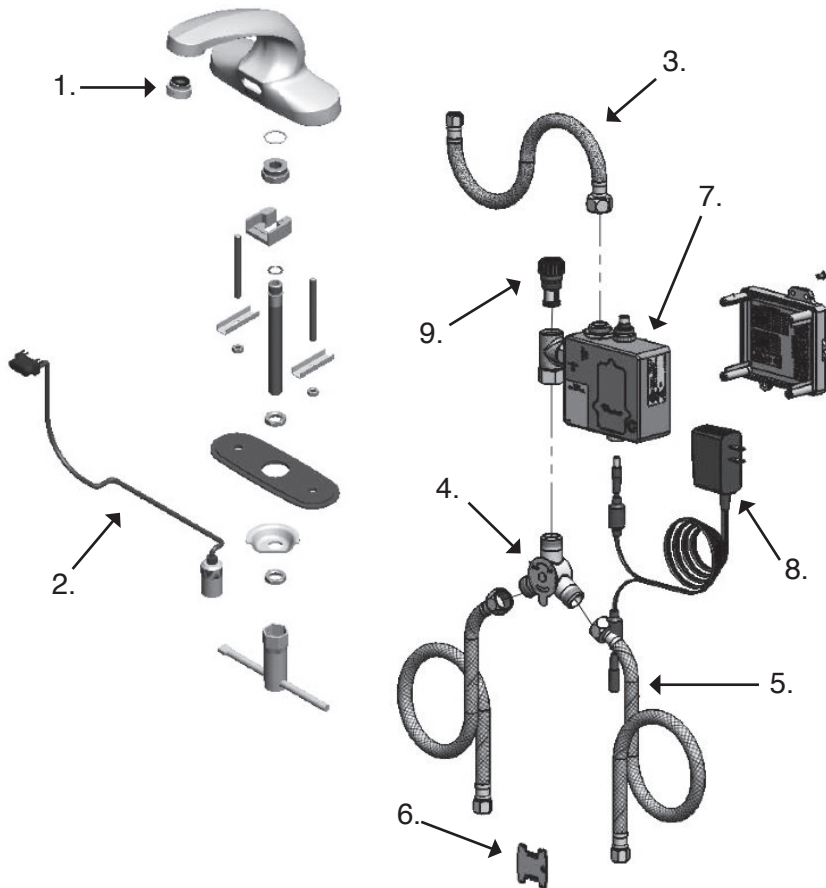
EC-3103 Check Point chrome plated brass Electronic Faucet. 4" Deck Mount Spout with Vandal resistant aerator, AC/DC control module with internal flow control setting switches, temperature control mixing valve with integral check valves, 18" Hot & Cold supply stop flexible connector hoses. 2.2 Flow rate. ADA Compliant.
 (4) "AA" batteries (30100044)

Part No. **93021**



Three Hole Faucet

Parts



1. **40110019** Vandal Proof Aerator 2.2gpm
2. **93011** Angled Sensor with Cable
3. **93012** Inlet hose 1/2" NPSM-F X 1/4" NPSM-F
4. **93013** Mechanical Mixing Valve
5. **93014** Supply Hose, 9/16-24 Fem. X 1/2" NPSM
6. **12110** Vandal Resistant Key
7. **93020** CheckPoint Module (Blue)
8. **93015** A/C Transformer
9. **93016** Replacement Filter

Toll Free: 800-327-3022



Fax Free: 800-327-5689

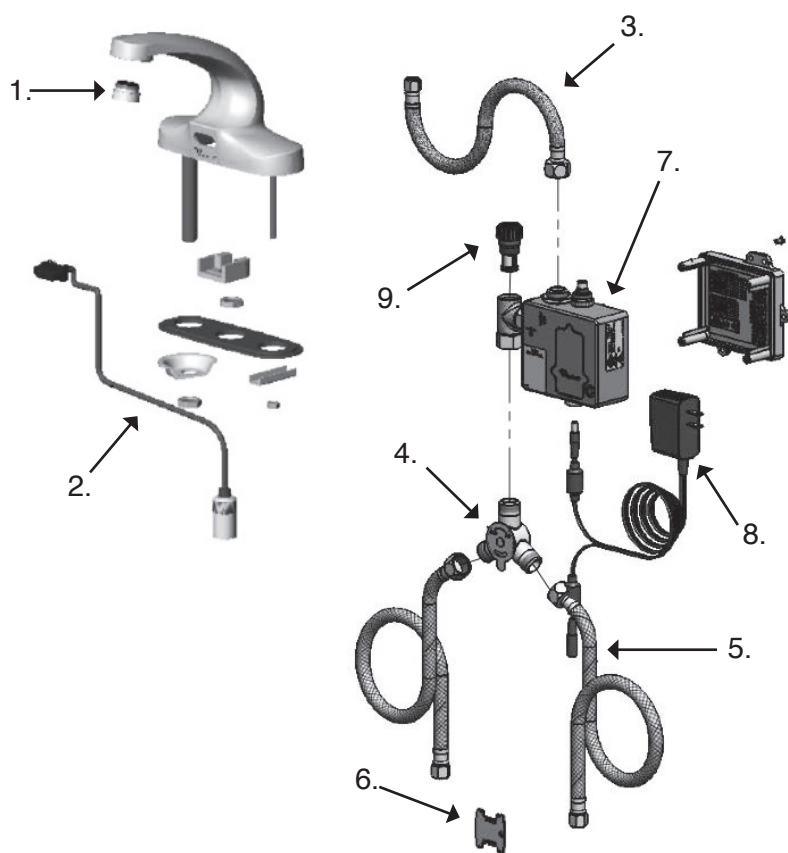
T&S Brass EC-3104 Check Point Electronic, 4" Deck Mount Faucet with AC/DC Control Module

EC-3104 Check Point chrome plated brass Electronic Faucet. 4" Deck Mount Spout with Vandal resistant aerator, AC/DC control module with internal flow control setting switches, temperature control mixing valve with integral check valves, 18" Hot & Cold supply stop flexible connector hoses. 2.2 Flow rate. ADA Compliant.

(4) "AA" batteries (30100044)

Part No. **93024**

Two Hole Faucet



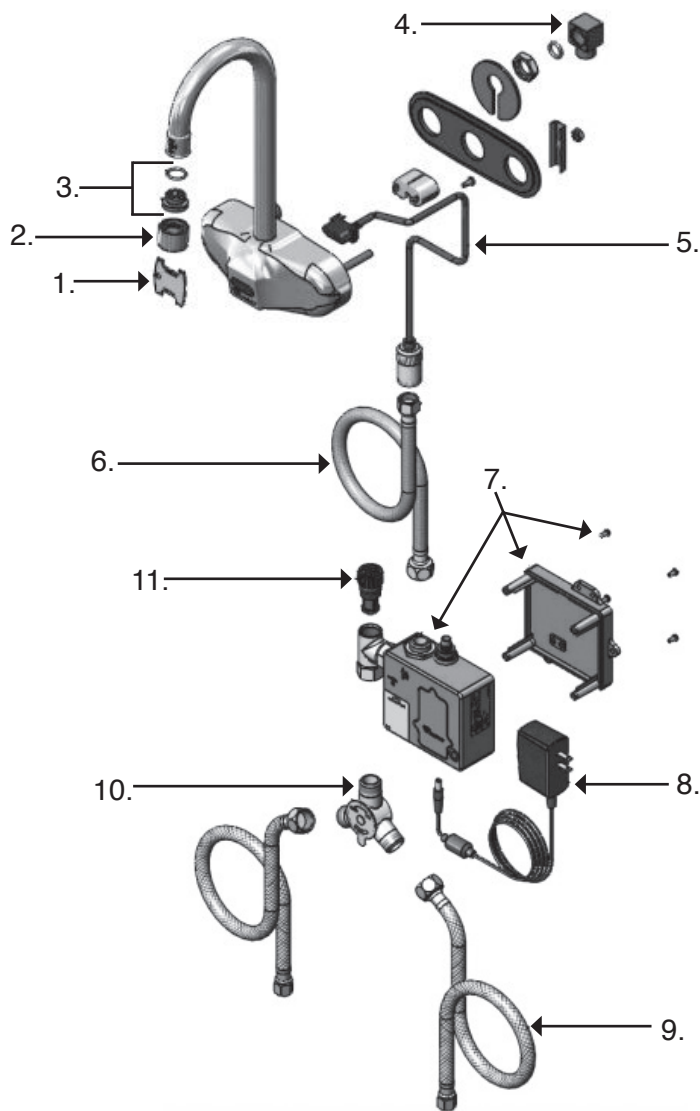
Parts

1. **40110019** Vandal Proof Aerator 2.2gpm
2. **93011** Angled Sensor with Cable
3. **93012** Inlet hose 1/2" NPSM-F X 1/4" NPSM-F
4. **93013** Mechanical Mixing Valve
5. **93014** Supply Hose, 9/16-24 Fem. X 1/2" NPSM
6. **12110** Vandal Resistant Key
7. **93020** CheckPoint Module (Blue)
8. **93015** A/C Transformer
9. **93016** Replacement Filter



T&S Brass EC-3105 Check Point Electronic, 4" Wall Mount Faucet with AC/DC Control Module

- EC-3105 Check Point chrome plated brass Electronic Faucet.
- 4-1/8" Rigid gooseneck spout, 11" High nozzle, Faucet overall width 6-1/8"
- 18" Flexible stainless steel supply hoses with 3/8" Compression connections
- (4) "AA" batteries (30100044)



Part No. **93023**



Parts

- | | | |
|-----|-----------------|---------------------------------------|
| 1. | 12110 | Vandal Resistant Key |
| 2. | 40110218 | Vandal Proof Aerator 2.2gpm |
| 3. | 40110120 | 3/8" Hospital aerator adapter |
| 4. | 40800170 | Low profile elbow 3/8 NPSM |
| 5. | 93011 | Angled Sensor with Cable |
| 6. | 93012 | Inlet hose 1/2" NPSM-F X 1/4" NPSM-F |
| 7. | 93020 | CheckPoint Module (Blue) |
| 8. | 93015 | A/C Transformer |
| 9. | 93014 | Supply Hose, 9/16-24 Fem. X 1/2" NPSM |
| 10. | 93013 | Mechanical Mixing Valve |
| 11. | 93016 | Replacement Filter |

Toll Free: 800-327-3022



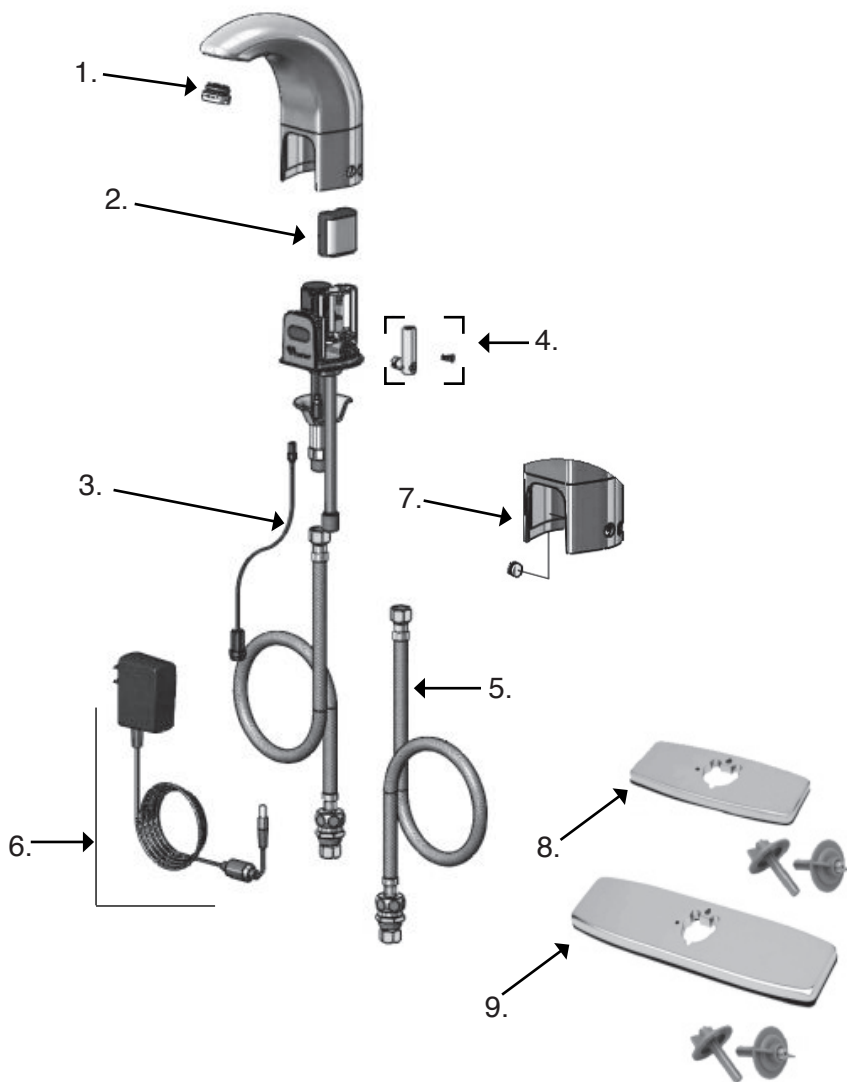
Fax Free: 800-327-5689

T&S Brass EC-3142 Check Point Single Hole, Sensor Activated, Deck Mount Electronic Faucet

Part No. **93022**



- Flow controlling setting
- Powered by batteries or included 100-240 V AC adapter
- Overall dimensions: 2-1/2" W x 5" D x 6-3/8" H
- Flexible stainless steel supply lines
- Temperature controlling level
- Chrome plated brass
- Vandal-resistant 2.2 GPM aerator



Parts

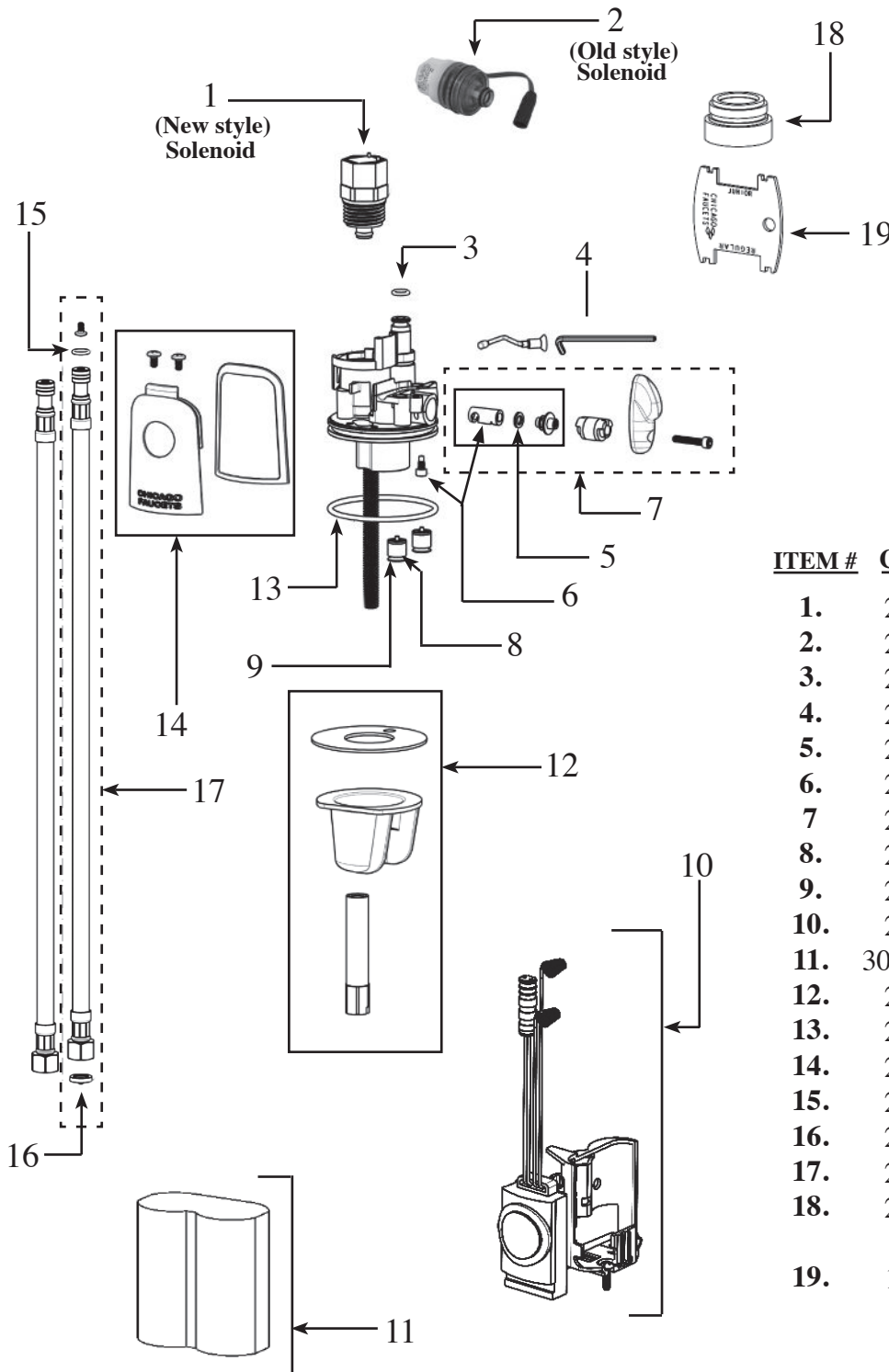
1. **40110019** 2.2 Male Vandal Proof Aerator
2. **30100061** 6VDC Lithium battery CR-P2
3. **93031** Auxiliary power connector cable
4. **93032** Lever Asm & body screw kit with L-key
5. **93033** Stainless steel hoses with check valve adapter
6. **93015** Plug-In A/C transformer
7. **93029** Body plug pre-set temperature
8. **93034** 4" Deck chrome plate
9. **93038** 8" Deck chrome plate



Chicago Faucet Single Hole Lavatory Faucet With Temperature Adjustment



Part No. **22790**
(116.222.AB.1) Battery Faucet



ITEM #	Cat. No.	DESCRIPTION
1.	22798	Solenoid (new style)
2.	22660	Solenoid (old style)
3.	22799	O-ring
4.	22650	Shut-off screw
5.	22651	O-ring
6.	22652	Mixer external kit
7.	22653	Handle (mixer kit)
8.	22654	Check cartridge (1ea)
9.	22799	O-ring
10.	22655	Electronic module
11.	30100061	6V Lithium battery
12.	22795	Hardware kit
13.	22796	O-ring
14.	22797	Window kit
15.	22792	O-ring
16.	22794	Filter screen
17.	22793	S/S braided hose kit (1ea)
18.	22659	0.5gpm vandal proof non-aerating spray
19.	12110	Vandal proof key

Toll Free: 800-327-3022



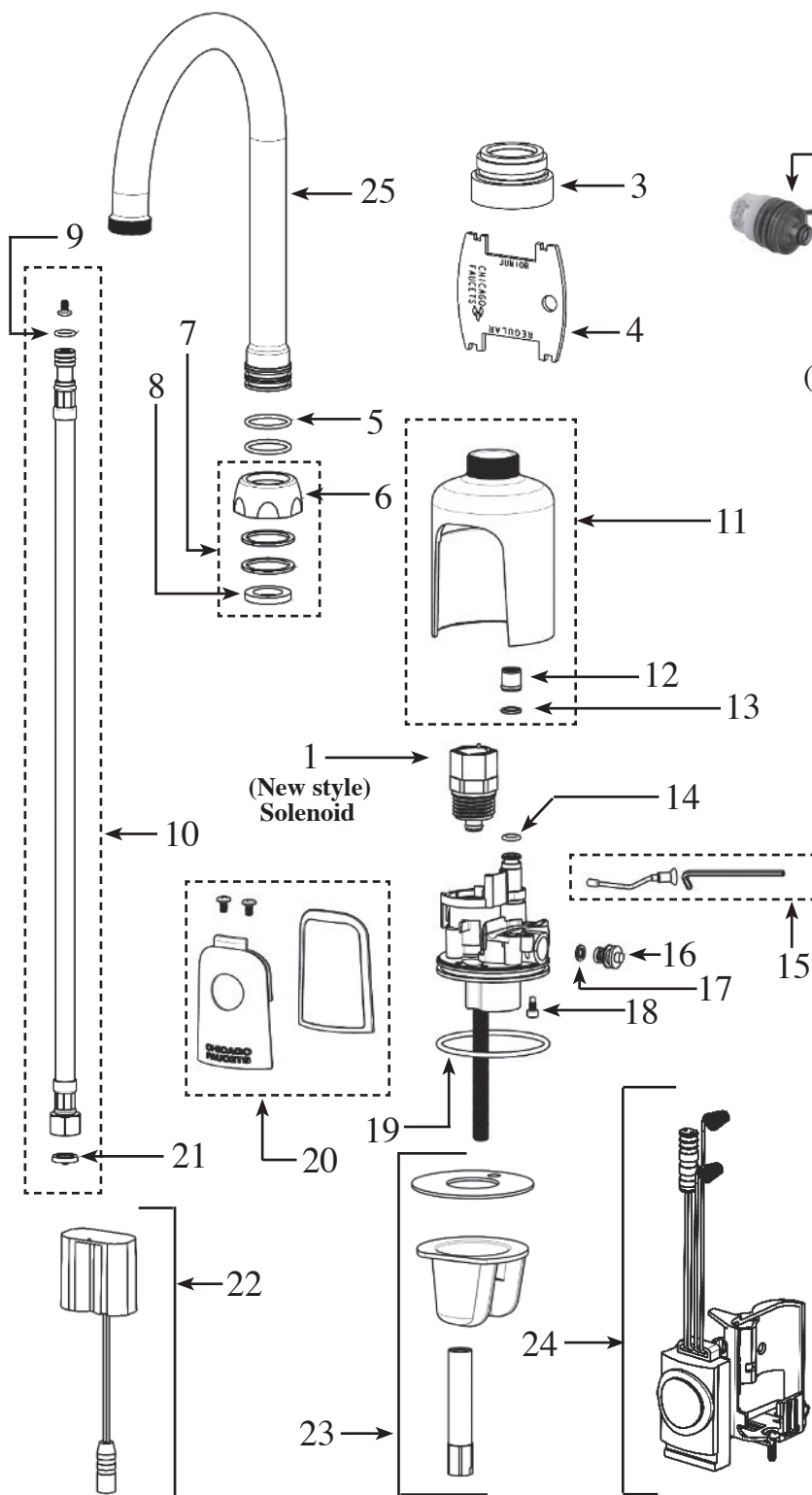
Fax Free: 800-327-5689

Chicago Faucet Single Hole Gooseneck Lavatory Faucet

CHICAGO FAUCETS



Cat. No. **22791**



(116.103.AB.1)

ITEM#	Cat. No.	DESCRIPTION
1.	22798	Solenoid (new style)
2.	22660	Solenoid (old style)
3.	22659	0.5gpm vandal proof non-aerating spray
4.	12110	Vandal proof key
5.	40950038	O-ring
6.	22658	Spout nut
7.	22657	Nut & washer kit
8.	40120920	Celcon washer
9.	22792	O-ring
10.	22793	S/S braided hose
11.	22655	Gooseneck base kit
12.	22654	Check cartridge
13.	22799	O-ring
14.	22799	O-ring
15.	22650	Shut-off screw
16.	— Not sold separately	Plug (single supply)
17.	22651	O-ring
18.	— Not sold separately	Dog point retaining screw
19.	22796	O-ring
20.	22797	Window kit
21.	22794	Filter screen
22.	22656	AC power adapter
23.	22795	Hardware kit
24.	22655	Electric module .5gpm
25.	40120083	Gooseneck spour assy. (5-8 & 25)

Toll Free: 800-327-3022



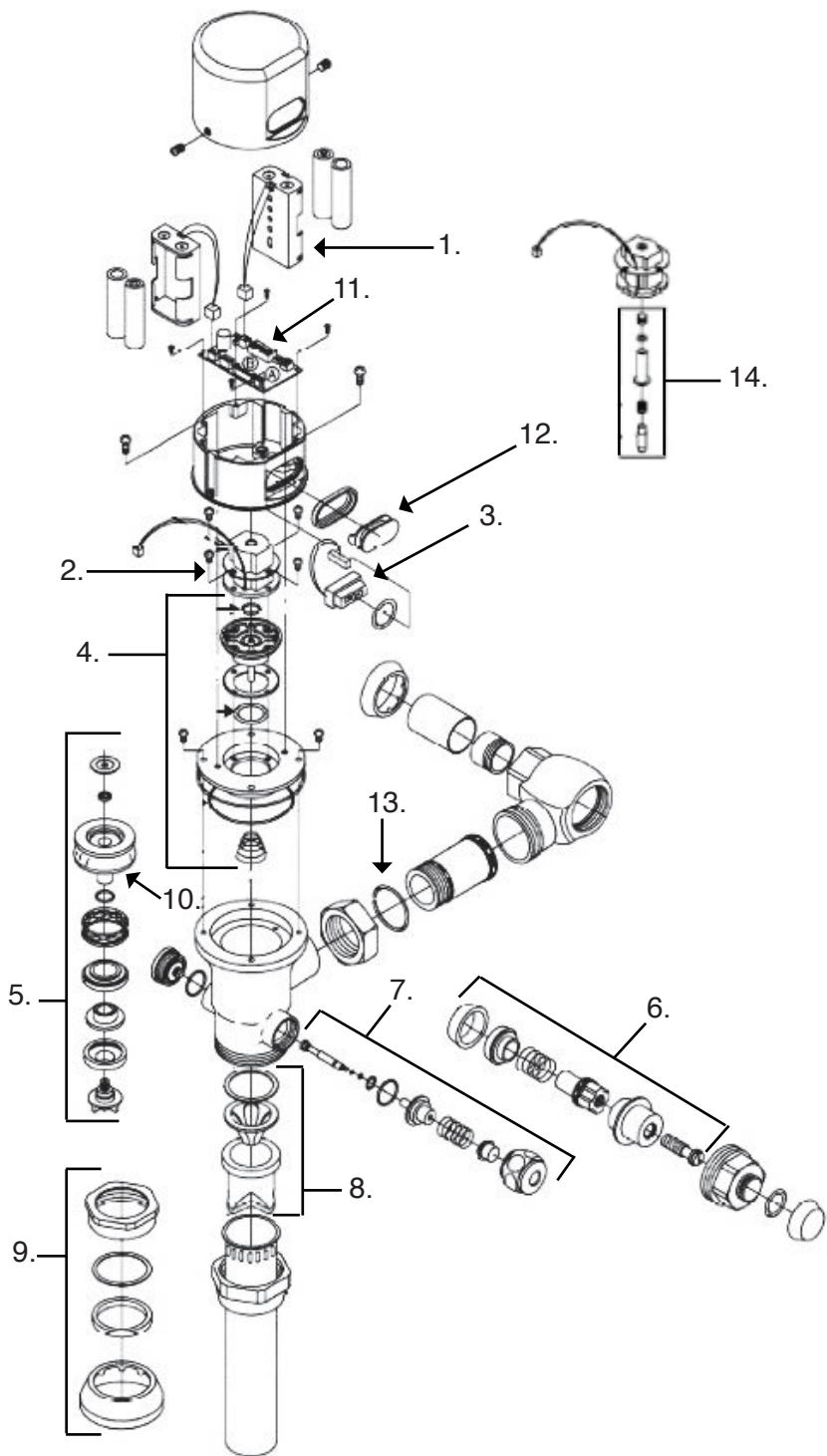
Fax Free: 800-327-5689

Hydrotek HB-8000C-B-1 Exposed AC/DC Powered Sensor Activated Piston 1.0 GPF Urinal Flushometer

Hydrotek

Parts

- 1. **93202** Battery Holders
- 2. **93203** Solenoid Coil Module
- 3. **93204** Sensor Eye / Cable
- 4. **93205** Solenoid valve Repair Kit
- 5. **93206** Control Disc Assembly
- 6. **9726** Angle Stop Repair Kit
- 7. **93207** Manual Button Assembly
- 8. **40201005** Vacuum Breaker Repair Kit
- 9. **40266125** 3/4" Top spud Assembly
- 10. **93208** Blue Rubber Disc.
- 11. **93213** 1.0 GPF Control Module
- 12. **93210** Sensor Cover
- 13. **40950069** O-ring #31
- 14. **93205** Part of Kit (Item # 4)



*Individual Parts Available Upon Request!
(Special order)*

Toll Free: 800-327-3022



Fax Free: 800-327-5689

T/C OneShot Touch-Free Counter Mounted Foam Soap System

- **Touch-free** activation eliminates cross-contamination to help reduce the spread of germs.
- **Surround Sensor** technology creates a 3" omni-directional sensing zone guaranteeing activation every time.
- Long battery life-90,000 cycles or 2 years (batteries not included)
- Optional AC power adapter available.
- **Height: 4"**
- **Width: 5.5"**
- **Mounts Through a 15/16" to 1-1/4" Hole**
(4) "D" cell batteries (30100028)

Part No. **93129**

Foam Soap
1600 ml. (2,000 Doses)

FOAM

1 Each



Part No. **93127**

FOAM T/C



T/C OneShot Touch-Free Counter Mounted Liquid Soap System

- **Touch-free** activation eliminates cross-contamination to help reduce the spread of germs.
- **Surround Sensor** technology creates a 3" omni-directional sensing zone guaranteeing activation every time.
- Long battery life-90,000 cycles or 2 years (batteries not included)
- Optional AC power adapter available.
- **Height: 4"**
- **Width: 5.5"**
- **Mounts Through a 15/16" to 1-1/4" Hole**
(4) "D" cell batteries (30100028)

Part No. **93130**

Liquid Soap
1600 ml. (2,000 Doses)

Liquid

1 Each



Part No. **93128**

Liquid T/C





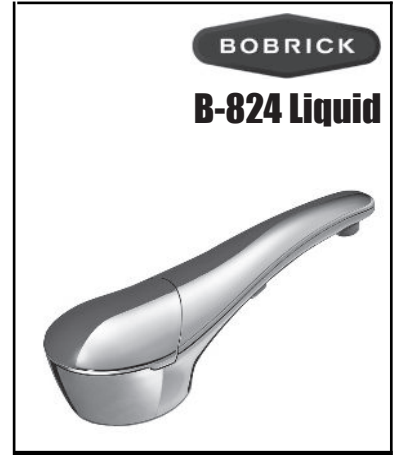
Bobrick Counter-Mounted Top Fill, Sensor Activated Foam Soap Dispenser

- **Spout:** Spring loaded 180 Degree rotatable lid with concealed locking mechanism for top filling.
- **Soap Bottle:** Translucent, shatter-resistant polyethylene. 34 oz.
- **Battery Pack:** Water-resistant, plastic material holds (4) "D" cell batteries (not included) **part# 30100058** requires (4)
- **Soap Delivery:** Gear pump submerged in the bottom of the bottle, pumps the liquid soap through a vinyl tube to spout

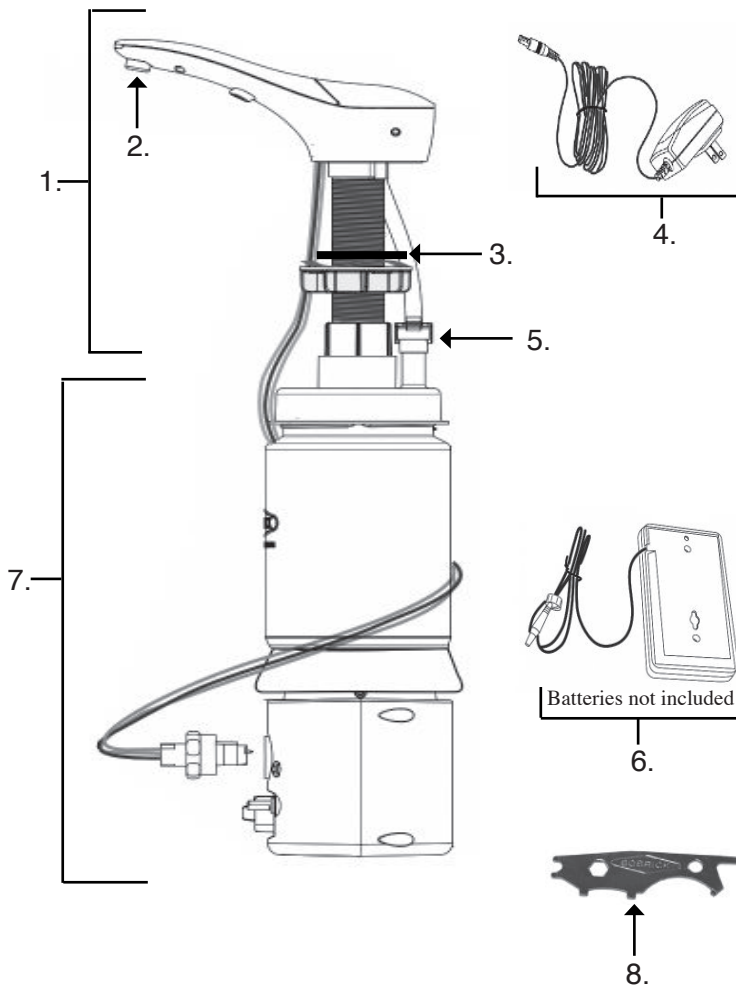
Liquid



Part No. **94030**



BOBRICK
B-824 Liquid



Parts

1. **94031** Top assembly (Liquid)
2. **94032** Nozzle tip replacement (Liquid)
3. **94023** Rubber under counter gasket
4. **94024** A/C Adapter
5. **94033** Duckbill housing (Liquid)
6. **94026** D Size battery pack
7. **94034** Bottom housing assy. (Liquid)
8. **94028** Bobkey soap dispenser key
94029 Installation hardware: (Liquid)
Includes wave washer, counter gasket, mounting nut, bobkey & stem mounting nut.

Toll Free: 800-327-3022



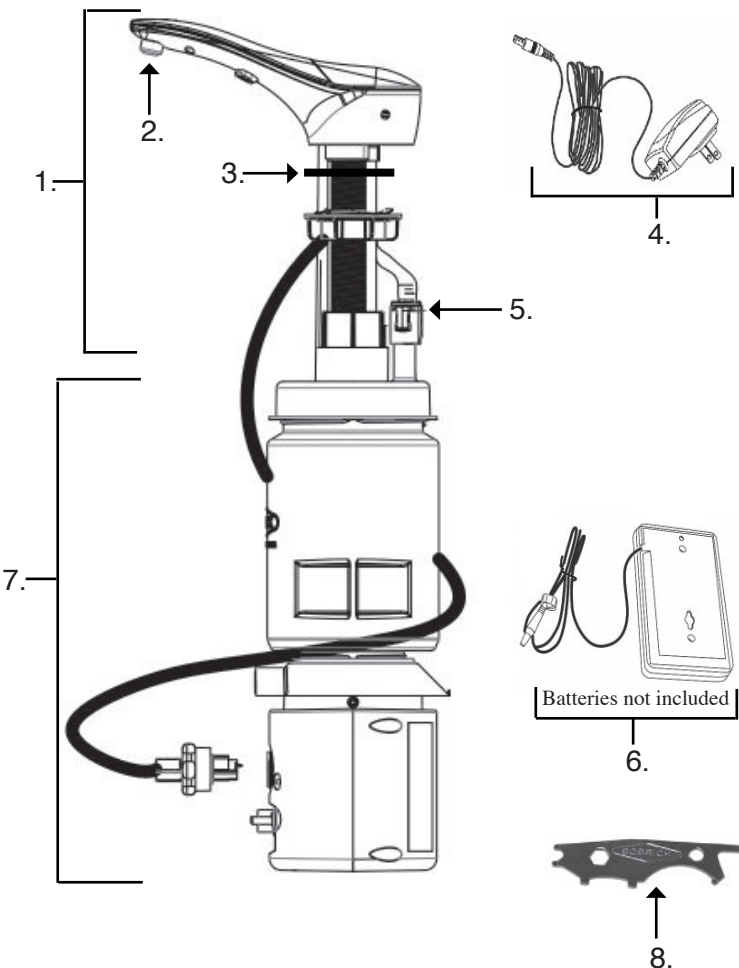
Fax Free: 800-327-5689

Bobrick Counter-Mounted Top Fill, Sensor Activated Foam Soap Dispenser

- **Spout:** Spring loaded 180 Degree rotatable lid with concealed locking mechanism for top filling.
- **Soap Bottle:** Translucent, shatter-resistant polyethylene. 34 oz.
- **Battery Pack:** Water-resistant, plastic material holds (4) "D" cell batteries (not included) **part# 30100058** requires (4)
- **Foam Mixer:** Located inside grey nozzle tip, mixer cartridge has an intergrated nylon mesh and nozzle tip.



Part No. **94020**



Parts

1. **94021** Top assembly (Foam)
 2. **94022** Nozzle tip replacement (Foam)
 3. **94023** Rubber under counter gasket
 4. **94024** A/C Adapter
 5. **94025** Foam mixer housing (Foam)
 6. **94026** D Size battery pack
 7. **94027** Bottom housing assy. (Foam)
 8. **94028** Bobkey soap dispenser key
- 94029** Installation hardware: (Foam)
Includes wave washer, counter gasket, mounting nut, bobkey & stem mounting nut. With foam mixer housing included.



Marlin Mfg. PO Box 140795
Orlando, FL 32814-0795

Toll Free: 1-800-327-3022

Fax Free: 1-800-327-5689

*Servicing the Southeast
"Since 1965"*

